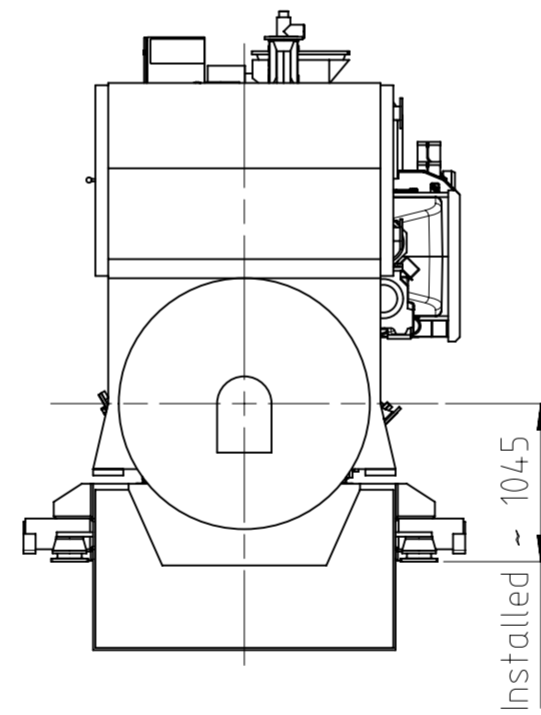
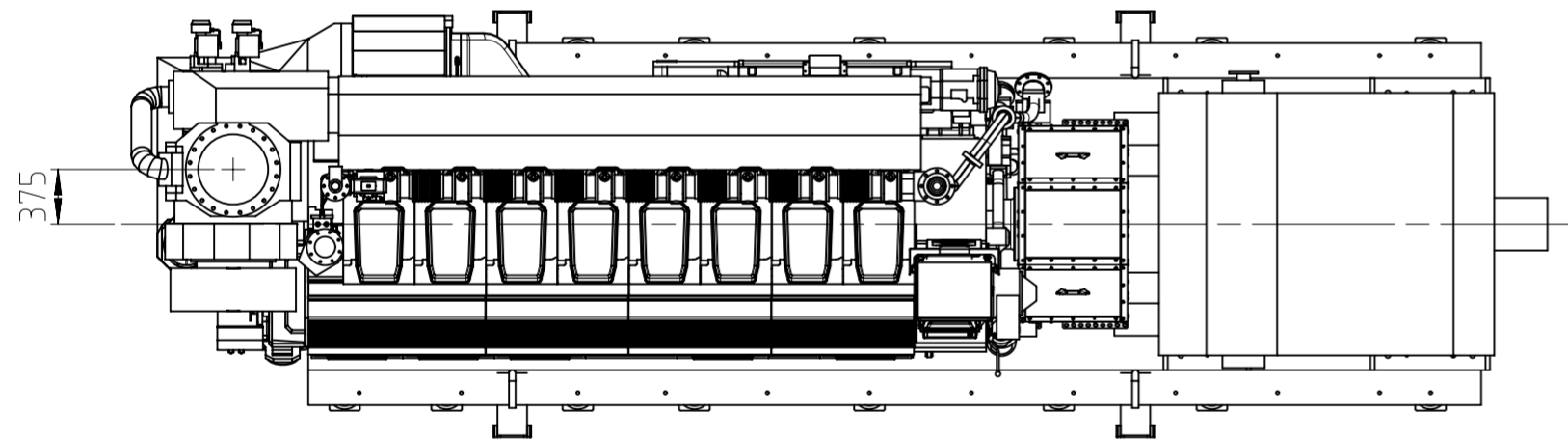
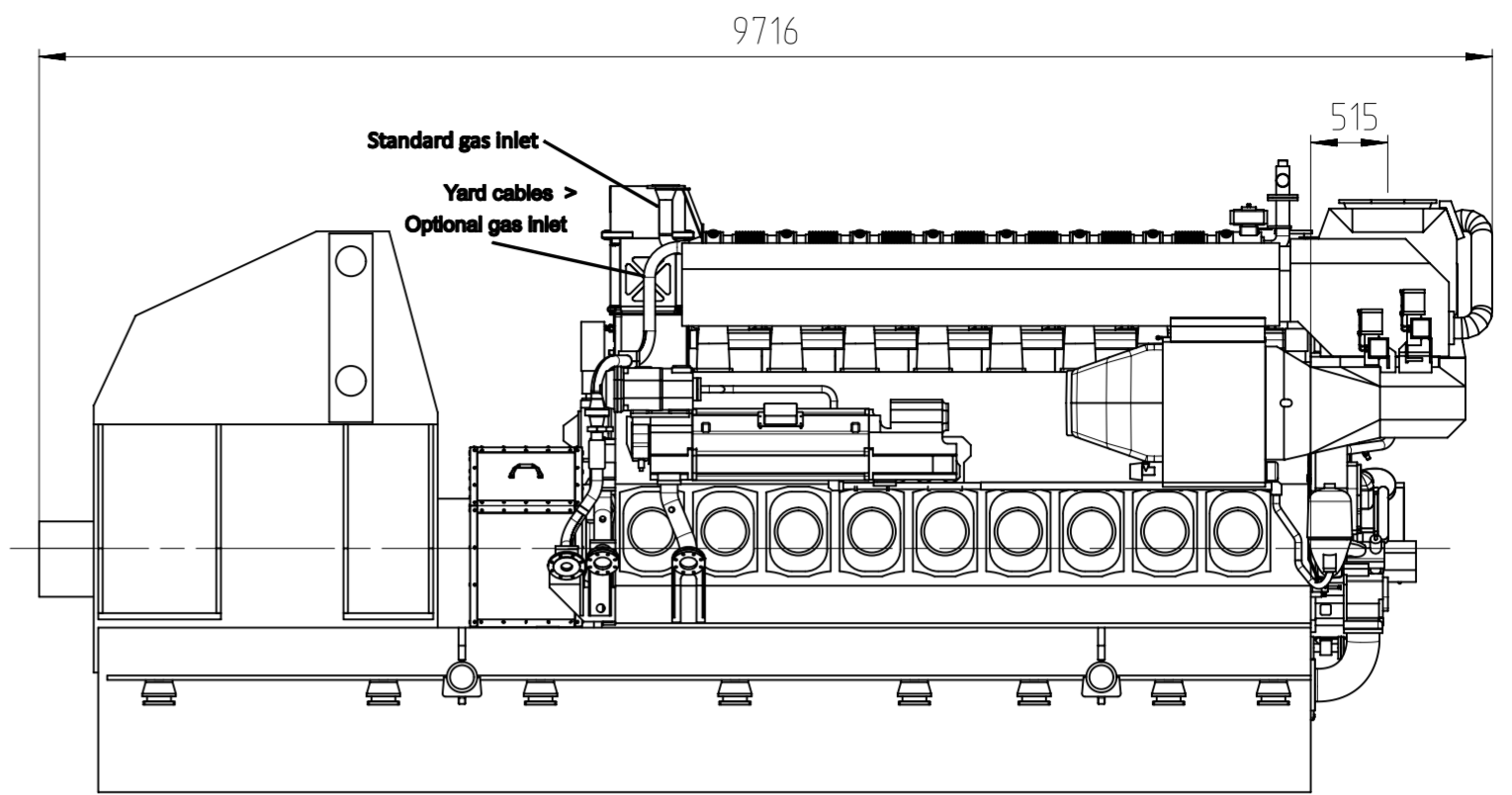
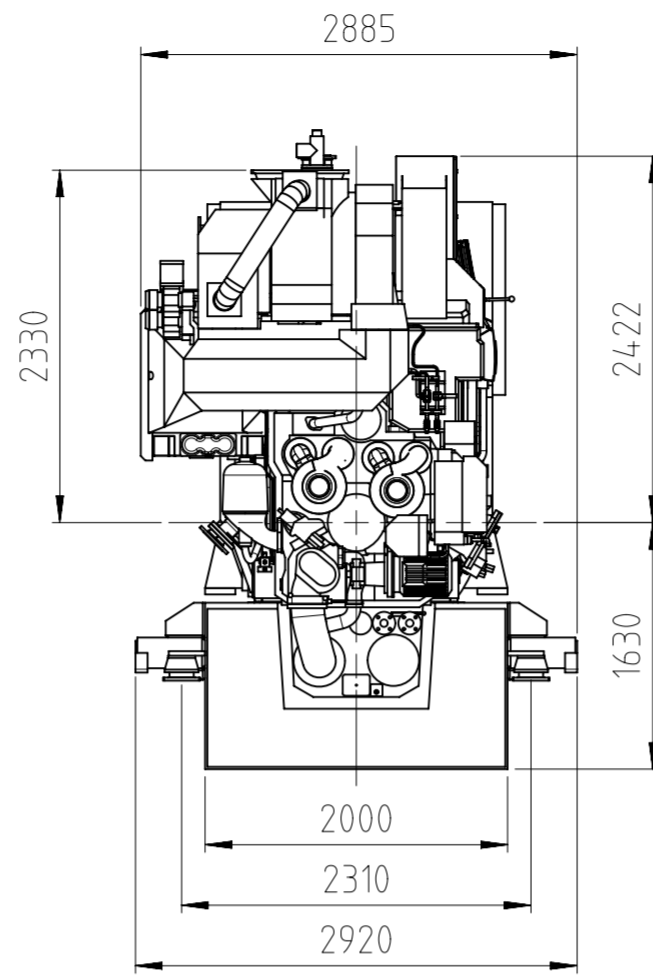
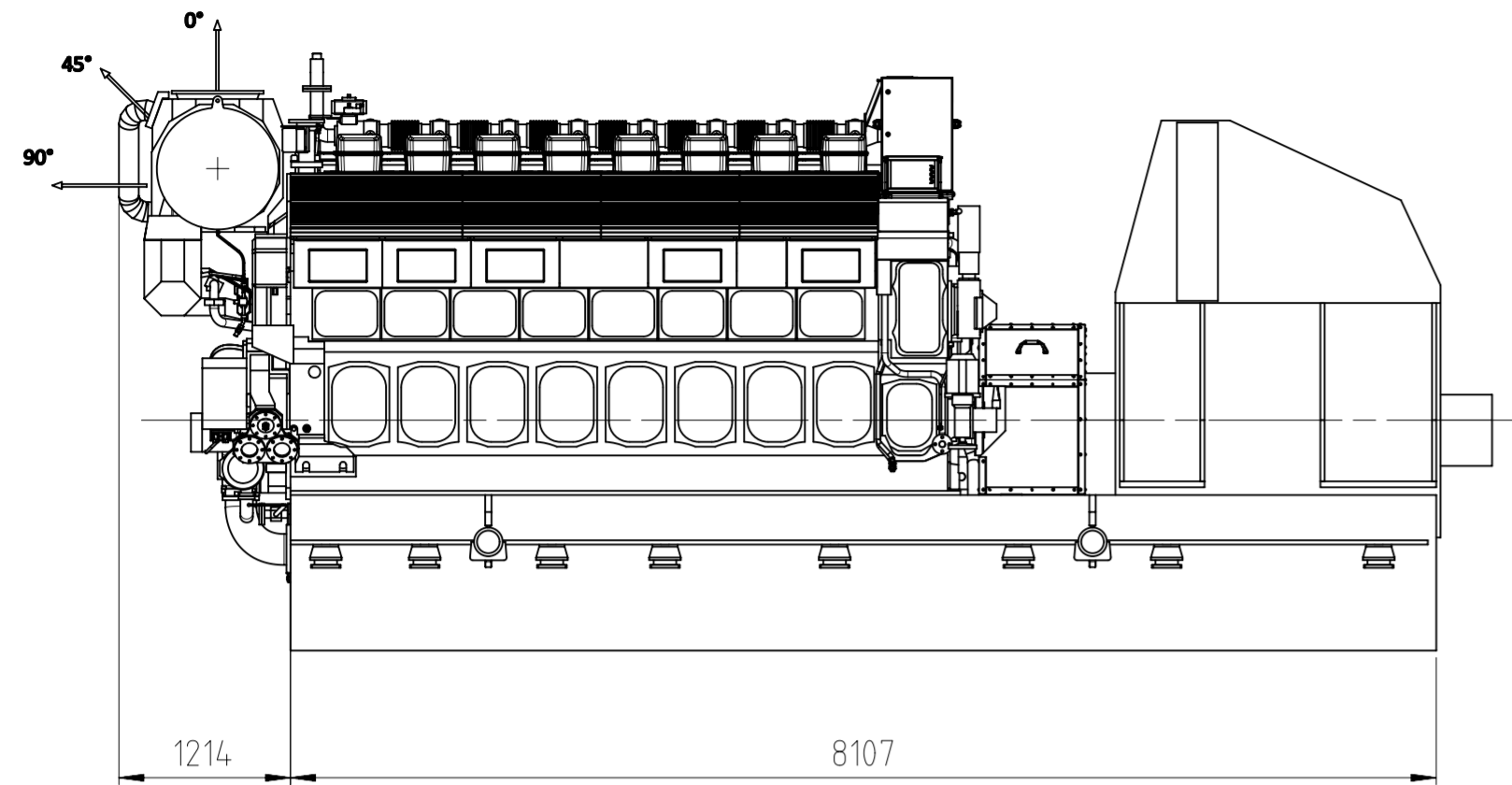


Exhaust gas outlet options



WEIGHTS [kg]	
ENGINE WITH LIQUIDS	44400
COMMON BASE FRAME	11100
ALTERNATOR ABB AMG 0900SM10 LSE	18700
FLEX. COUPLING AND FLYWHEEL	2000
TOTAL WEIGHT	76200

The drawing is only for guidance. Dimensions are preliminary and will change depending on selection of generator and flexible coupling.

Service spaces see drawing DAAF070676

REV.	DATE	MADE	APPVD.	MEMO NO.	EXPLANATION
A	8.6.2021	AEK006	MTU009	(N-A179530)	Updated to C design stage

		Product W8L34DF	Outline drawing Dual fuel generating set		
Units	mm kg	NX	Basic Material	Net Weight	
Made	19.6.2017	eda016	Danielsson	Scale 1:50	Size A2 Page 1/1 Material ID
Chkd	16.08.2017	dk1004 Klemets		Design Group	Drawing ID DAAF382191
Appd	16.08.2017	tve001 Vesterbacka		58E0	
					Drawing Rev A