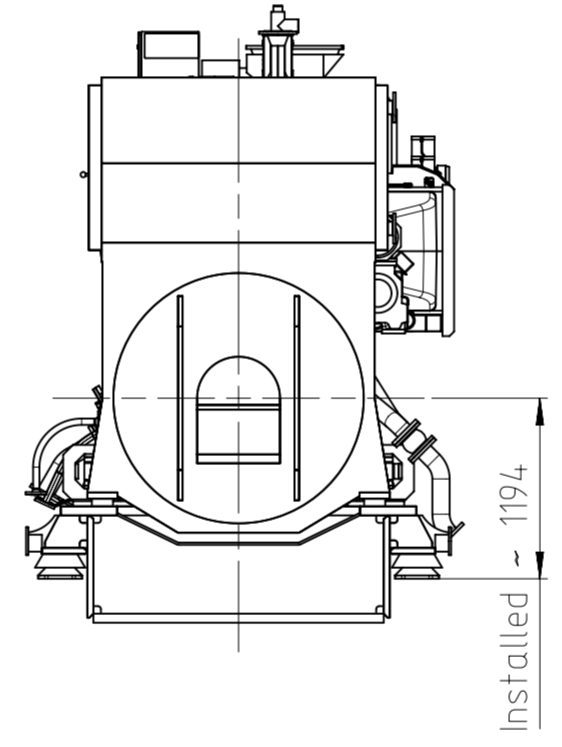
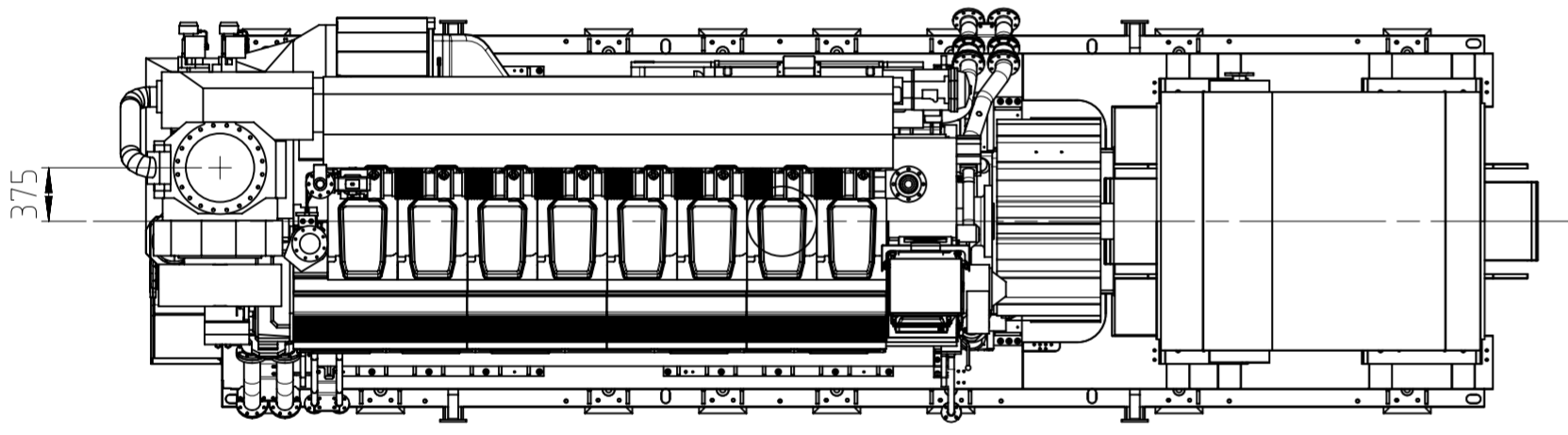
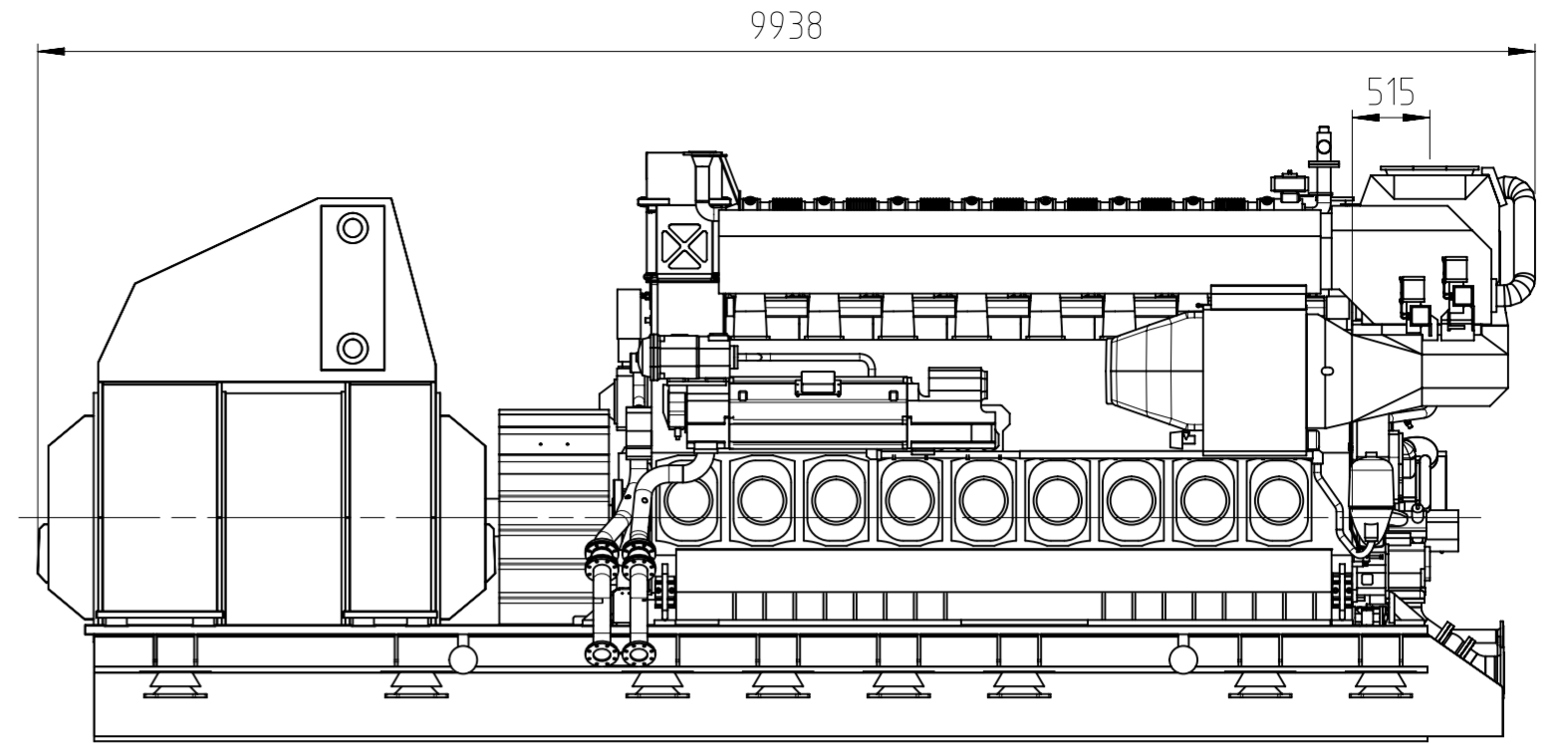
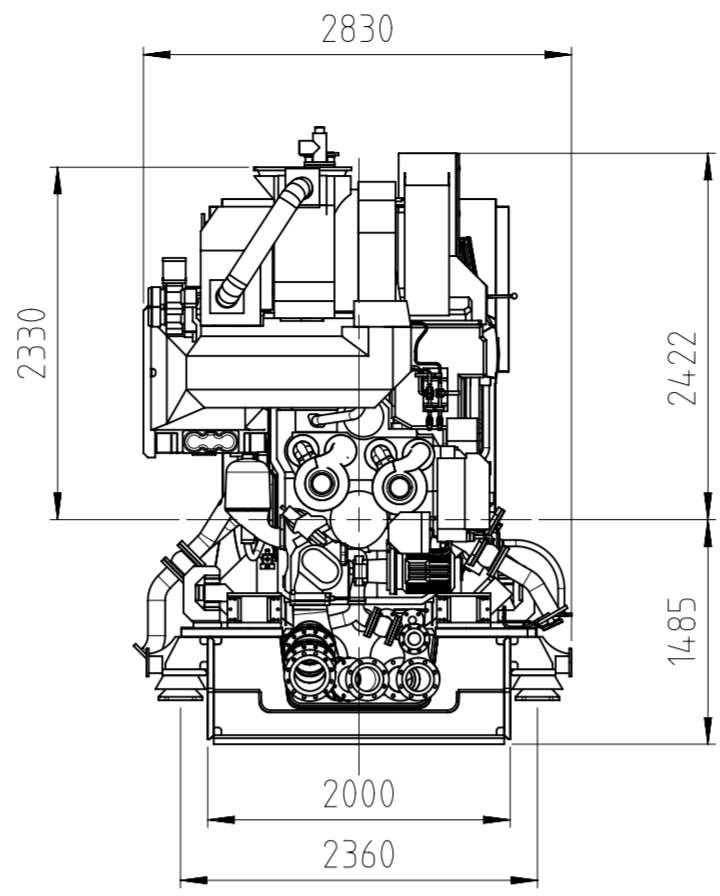
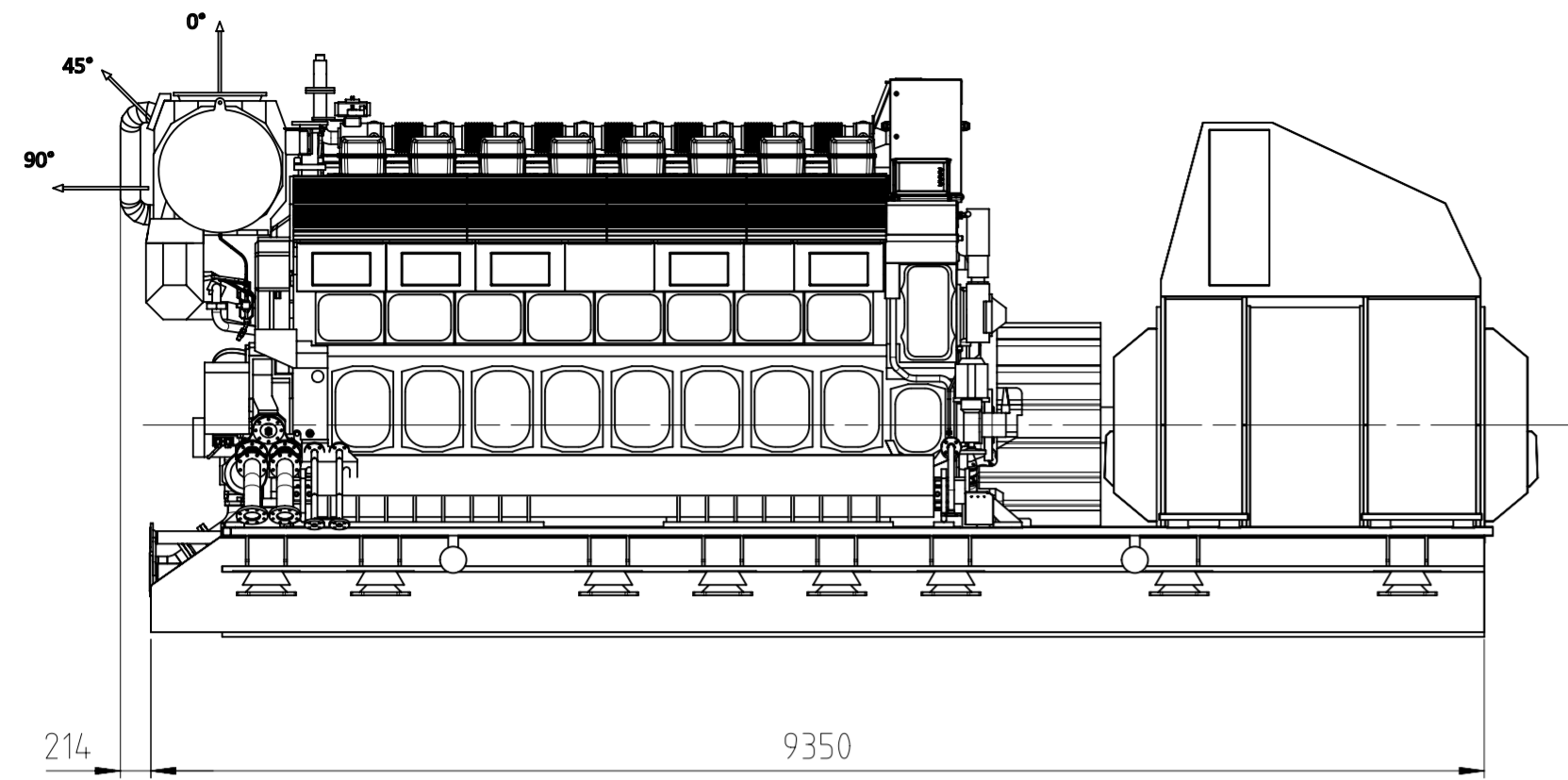


Exhaust gas outlet options



WEIGHTS [kg]	
ENGINE WITH LIQUIDS	44400
COMMON BASE FRAME	22000
ALTERNATOR ABB AMG 0900SK08 LSE	17900
FLEX. COUPLING AND FLYWHEEL	2100
FLEXIBLE MOUNTING	3100
TOTAL WEIGHT	89500

The drawing is only for guidance.
 Dimensions are preliminary and may change during
 final selection of alternator and flexible coupling.

Service spaces see drawing DAAF070676

REV.	DATE	MADE	APPVD.	MEMO NO.	EXPLANATION
A	8.6.2021	AEK006	MTU009	(N-A179530)	Updated to C design stage

	Product W8L34DF	Outline drawing Diesel generating set		
		Double-flexible mounting		
Units	mm kg	NX	Basic Material	Net Weight
Made	12.7.2017	eda016	Danielsson	Scale 1:50
Chkd	16.08.2017	dk1004	Klemets	Design Group
Appd	16.08.2017	tve001	Vesterbacka	58E
Size A2		Page 1/1	Material ID	Drawing ID
		DAAF385069		Drawing Rev A

Approved
 DIMENSIONAL DRAWING - Confidential