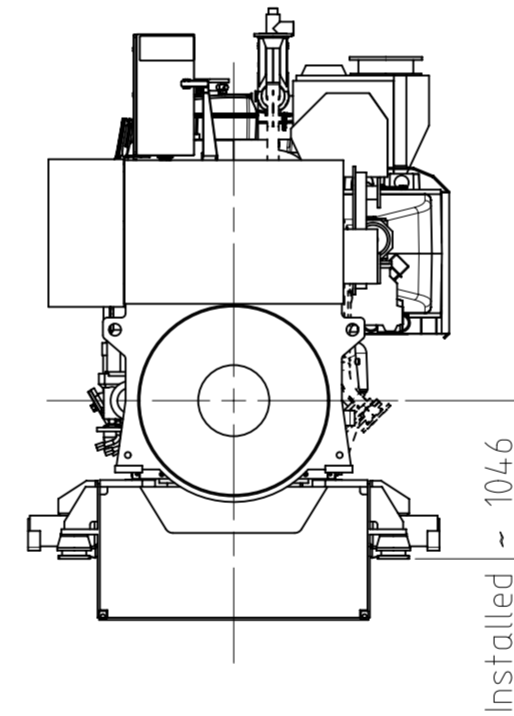
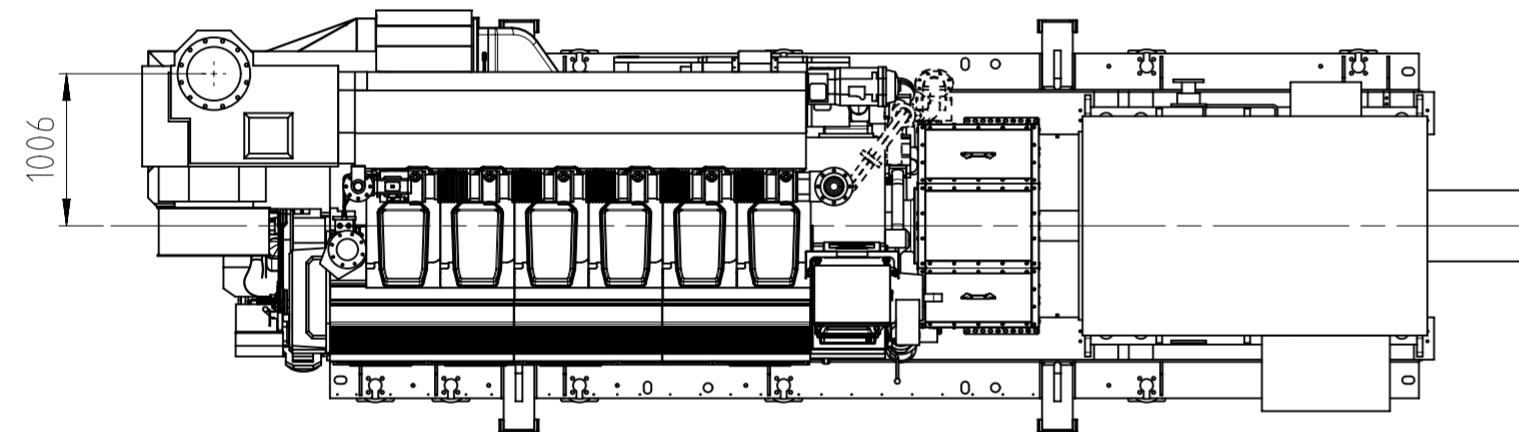
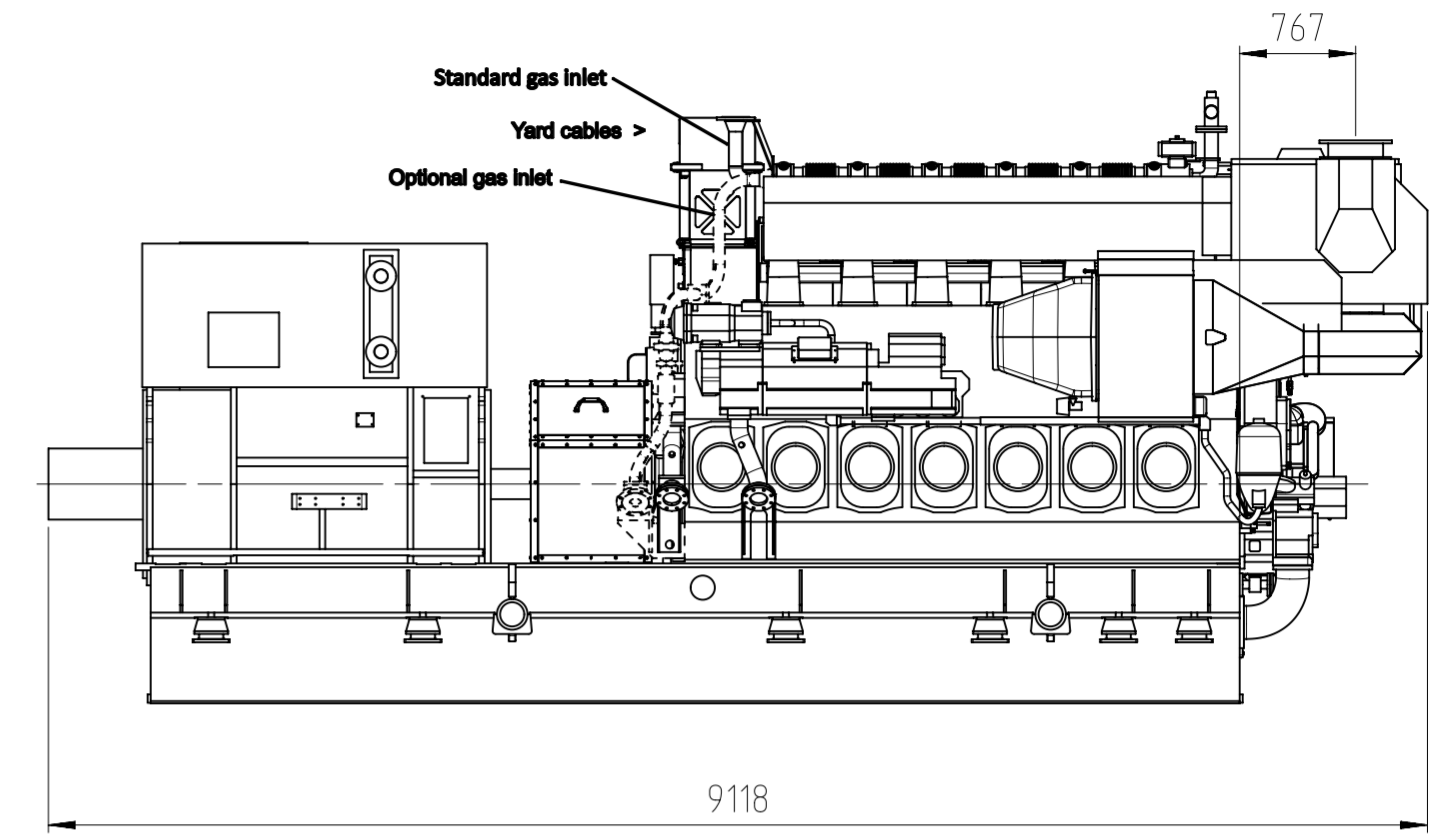
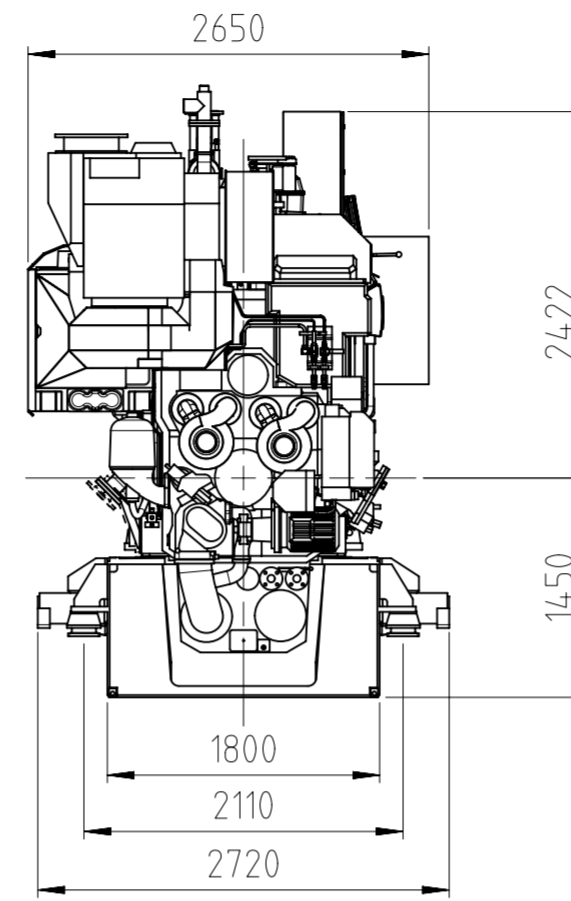
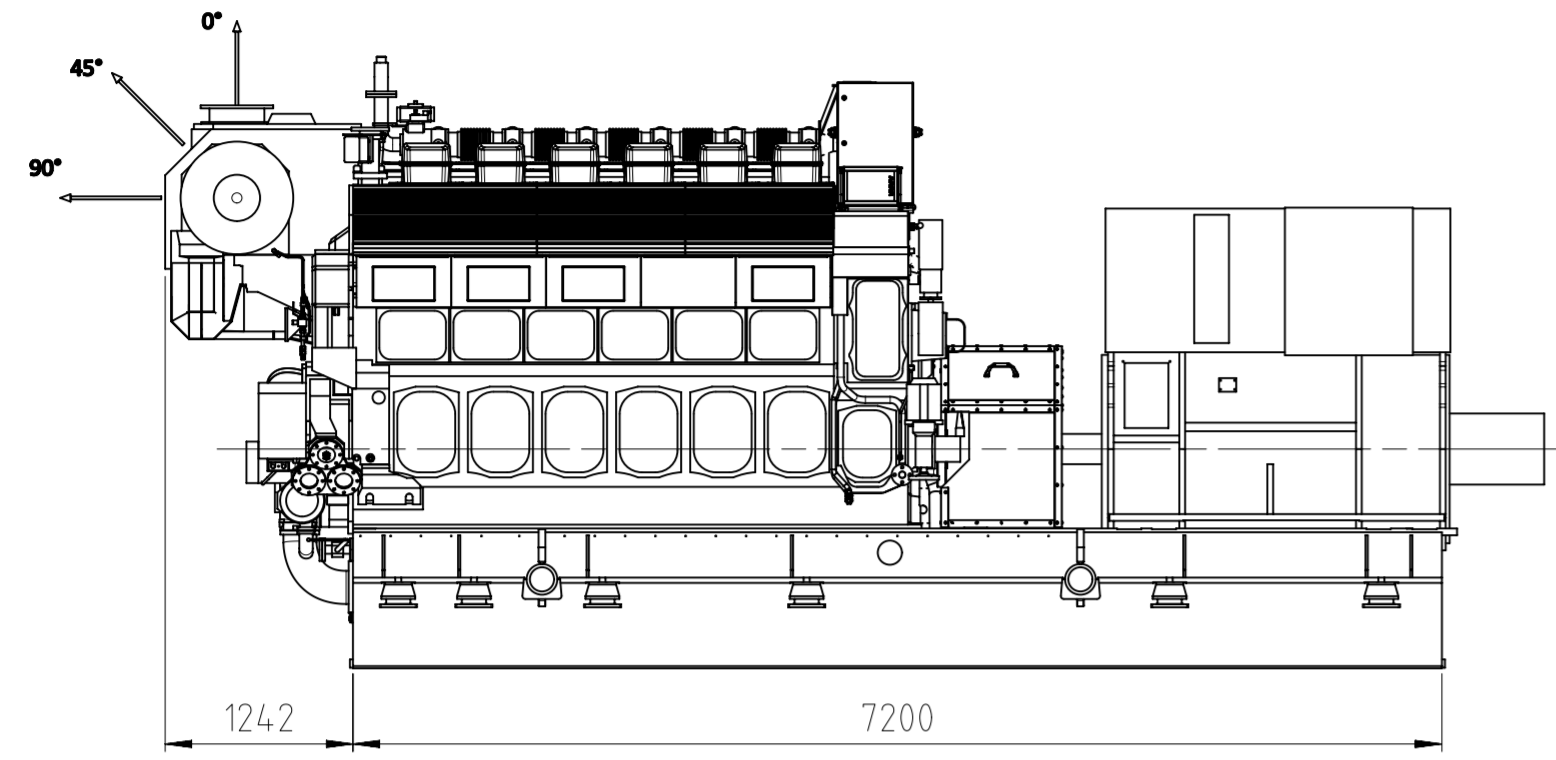


Exhaust gas outlet options



WEIGHTS [kg]	
ENGINE WITH LIQUIDS	35400
COMMON BASE FRAME	7500
GENERATOR	13000
FLEX. COUPLING AND FLYWHEEL	1700
TOTAL WEIGHT	57600
TOTAL WEIGHT	57600

The drawing is only for guidance. Dimensions are preliminary and will change depending on final selection of generator and flexible coupling.

Service spaces see drawing DAAF070676

REV.	DATE	MADE	APPVD.	MEMO NO.	EXPLANATION
B	23.11.2021	DKL004	MTU009	(N-A191499)	Gas connection from above marked as standard
A	31.5.2021	AEK006	MTU009	(N-A178798)	Updated to C design stage

		Product W6L34DF	Outline drawing Dual fuel generating set		
Units	mm kg	NX	Basic Material	Net Weight	
Made	8.6.2017	btu004	Tuori	Scale 1:50	Size A2
Chkd	-28.06.2017	-	dkl004 Klemets	Design Group	Page 1/1
Appd	-31.07.2017	-	mtu009 Södö	58E0	Material ID
				Drawing ID	DAAF380642
				Drawing Rev	B