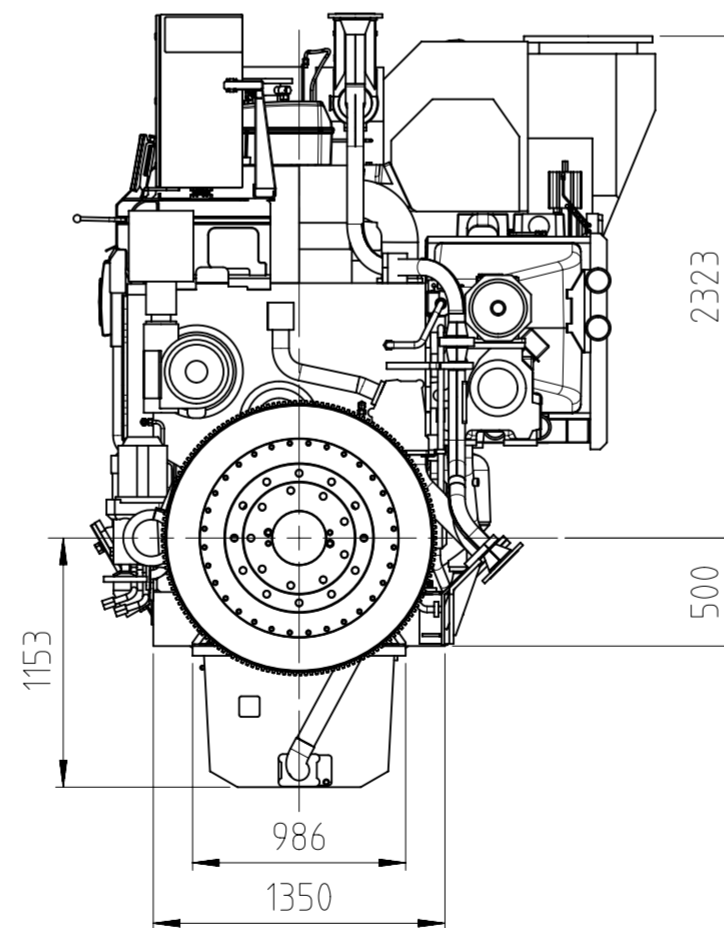
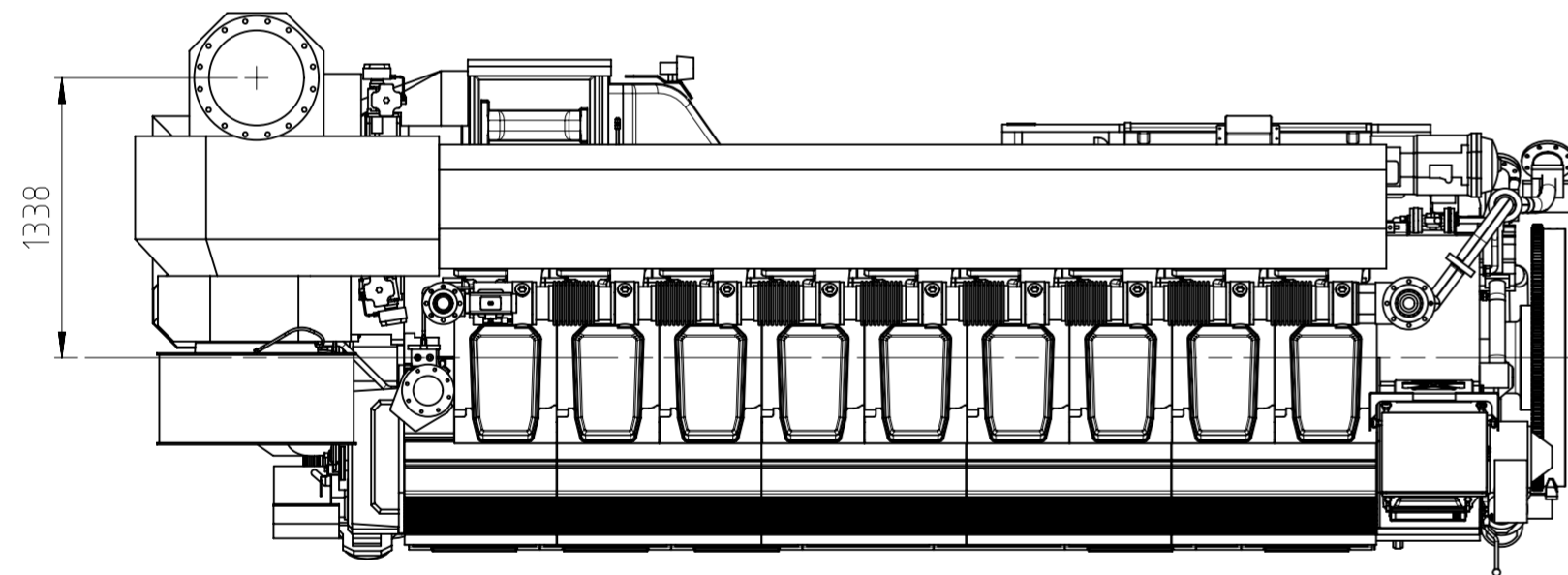
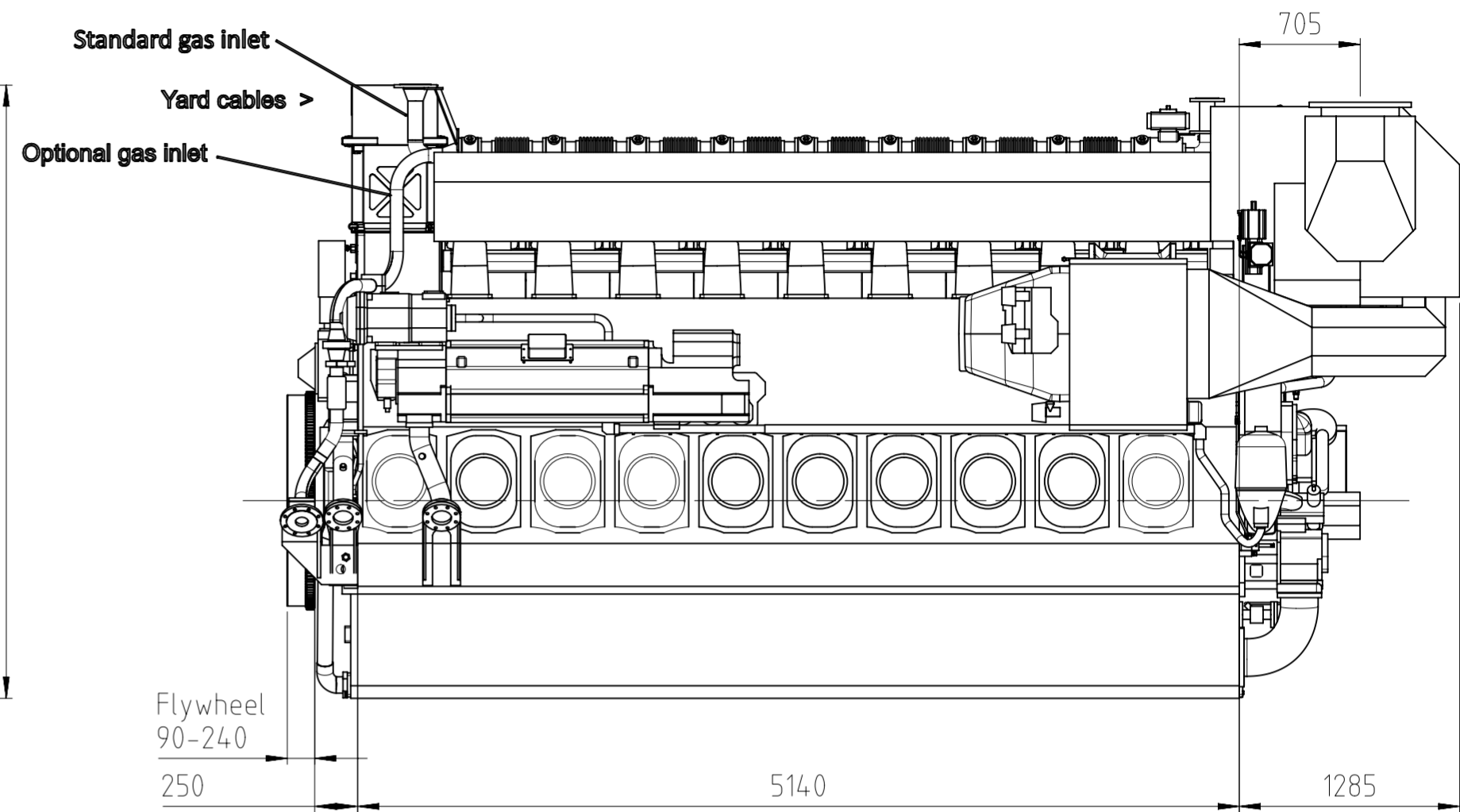
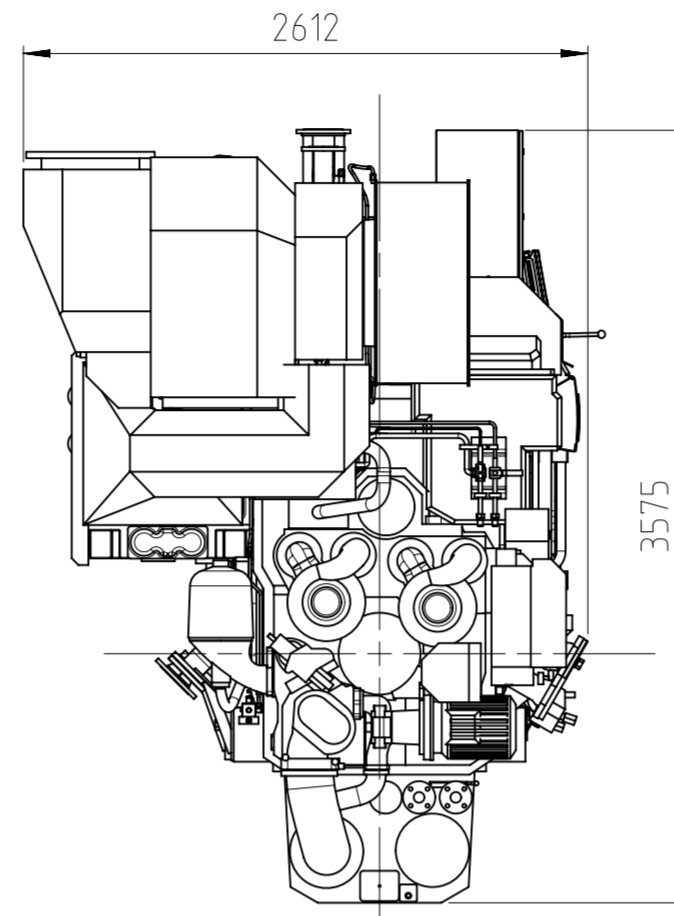
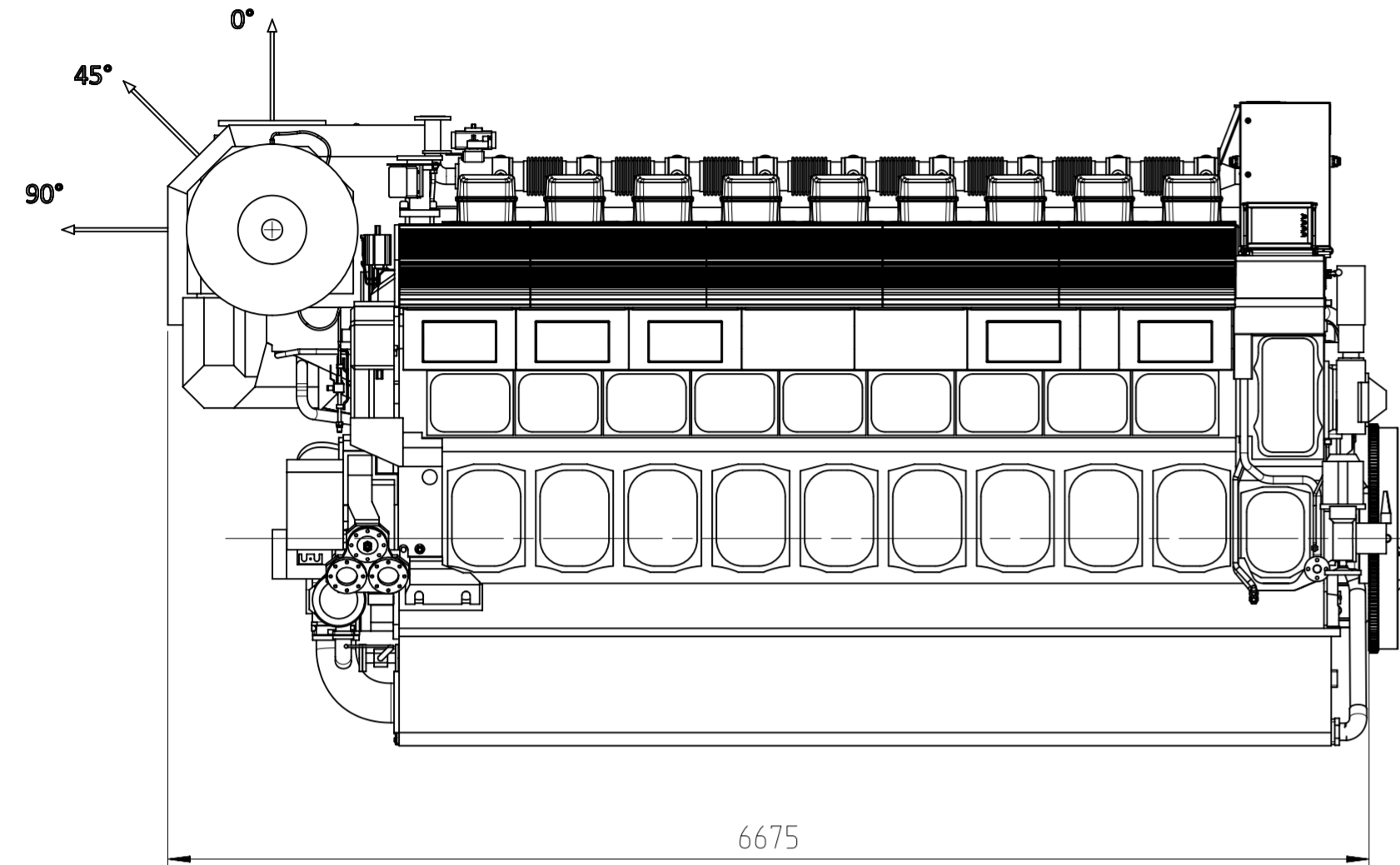


Exhaust gas outlet options



WEIGHTS w/o FLYWHEEL [kg]	
ENGINE WEIGHT	46000
OIL	2000
WATER	700
TOTAL WEIGHT	48700

TC free end
Wet sump
Fixed mounting

Service space see drawing DAAF070676

		Product W9L34DF		Outline drawing Dual fuel engine						
		Units	mm kg	NX	Basic Material	Net Weight				
Made	12.7.2017	eda016	Danielsson	Scale	1:35	Size	A2	Page	1/1	Material ID
Chkd	17.08.2017	dkl004	Klemets	Design Group	58E	Drawing ID	DAAF382379		Drawing Rev	A
Appd	22.08.2017	mtu009	Södö							

REV.	DATE	MADE	APPVD.	MEMO NO.	EXPLANATION
A	16.12.2021	dkl004	mtu009	(N-A193391)	Updated to latest design