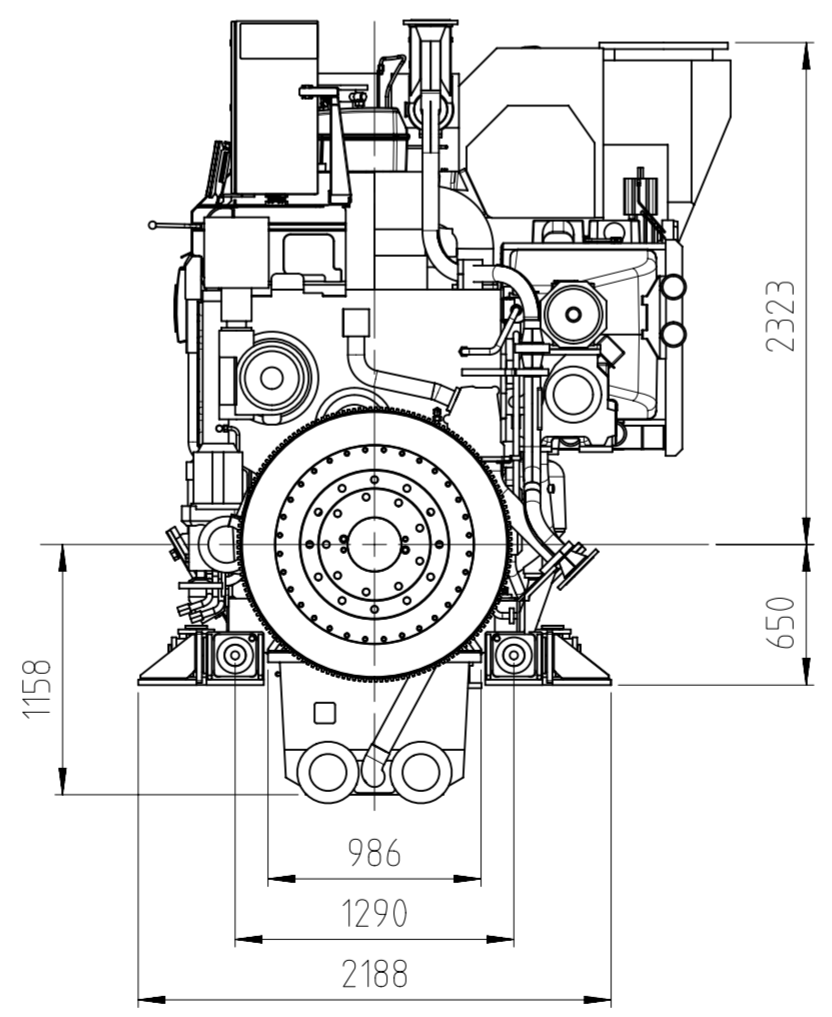
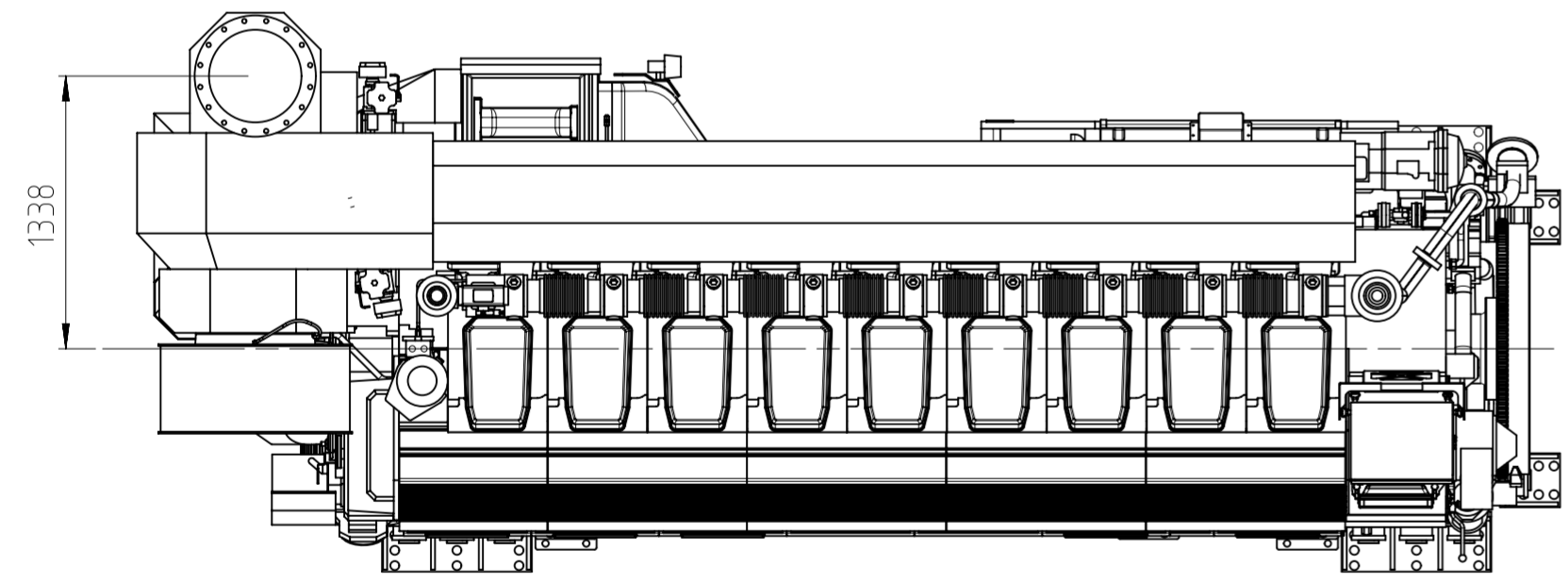
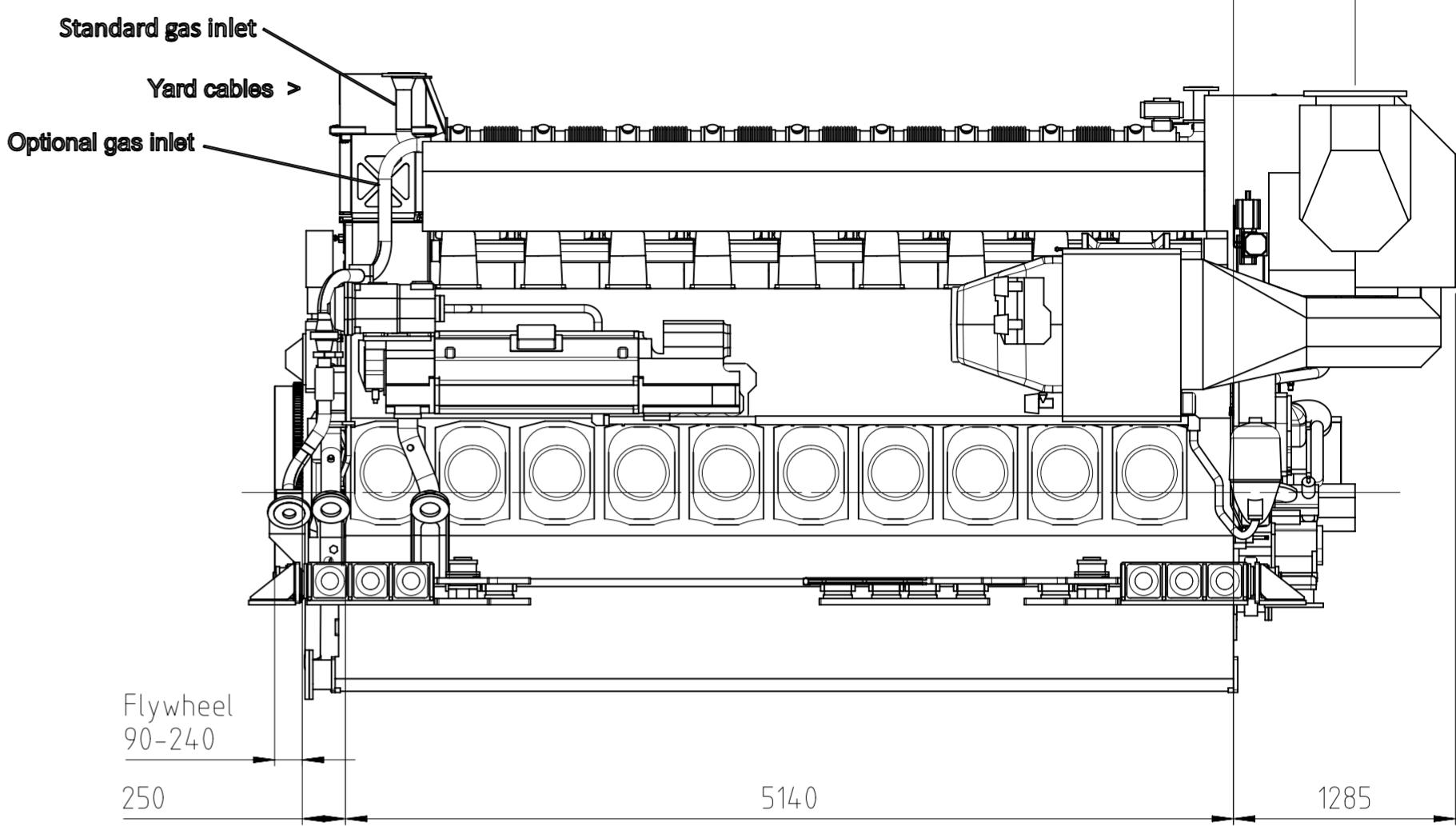
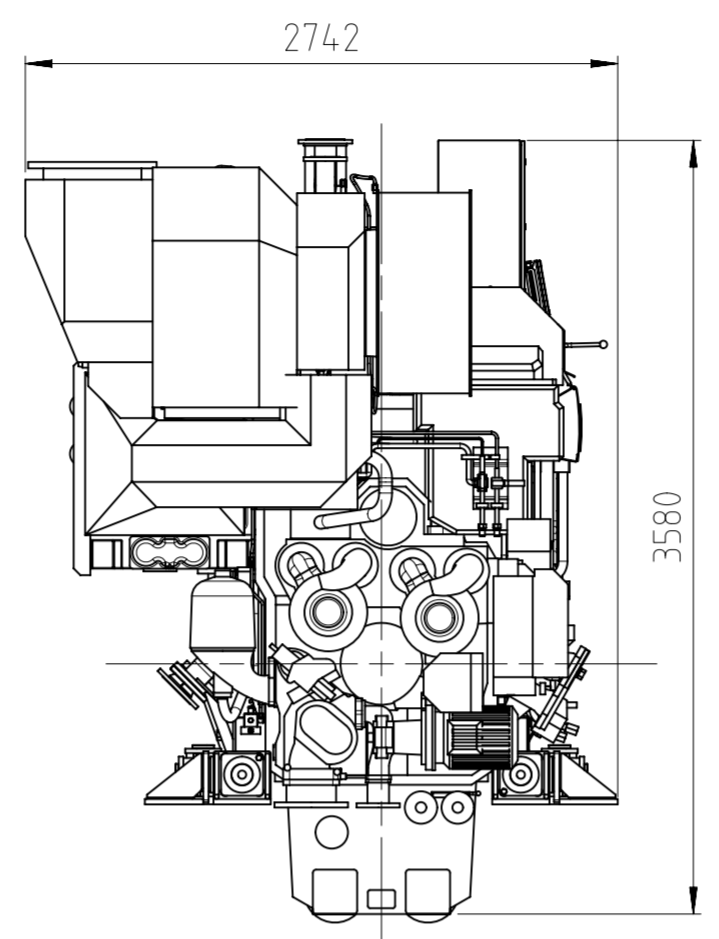
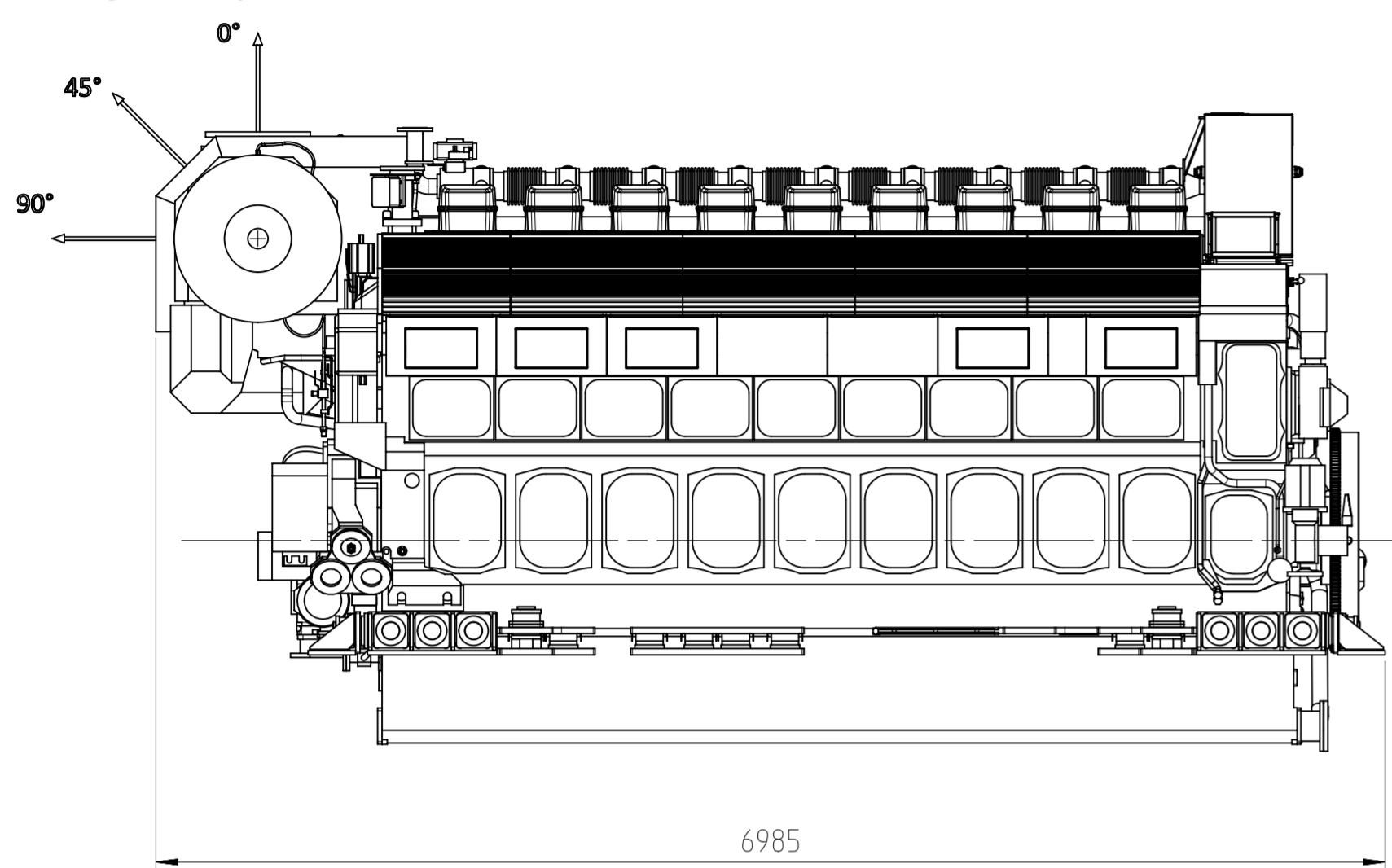


Exhaust gas outlet options



WEIGHTS w/o FLYWHEEL [kg]	
ENGINE WEIGHT	46000
FLEXIBLE MOUNTING	2400
OIL	-
WATER	700
TOTAL WEIGHT	49100

TC free end
Dry sump
Flexible mounting

Service space see drawing DAAF070676

		Product W9L34DF		Outline drawing Dual fuel engine							
		Units mm kg	NX	Basic Material	Net Weight						
Made	11.7.2017	eda016	Danielsson	Scale	1:35	Size	A2	Page	1/1	Material ID	
Chkd	17.08.2017	dk1004	Klemets	Design Group	58E	Drawing ID	DAAF384942			Drawing Rev	A
Appd	22.08.2017	mtu009	Södö								

REV.	DATE	MADE	APPVD.	MEMO NO.	EXPLANATION
A	16.12.2021	dk1004	mtu009	(N-A193391)	Updated to latest design

Approved
DID - DIMENSIONAL DRAWING - Confidential