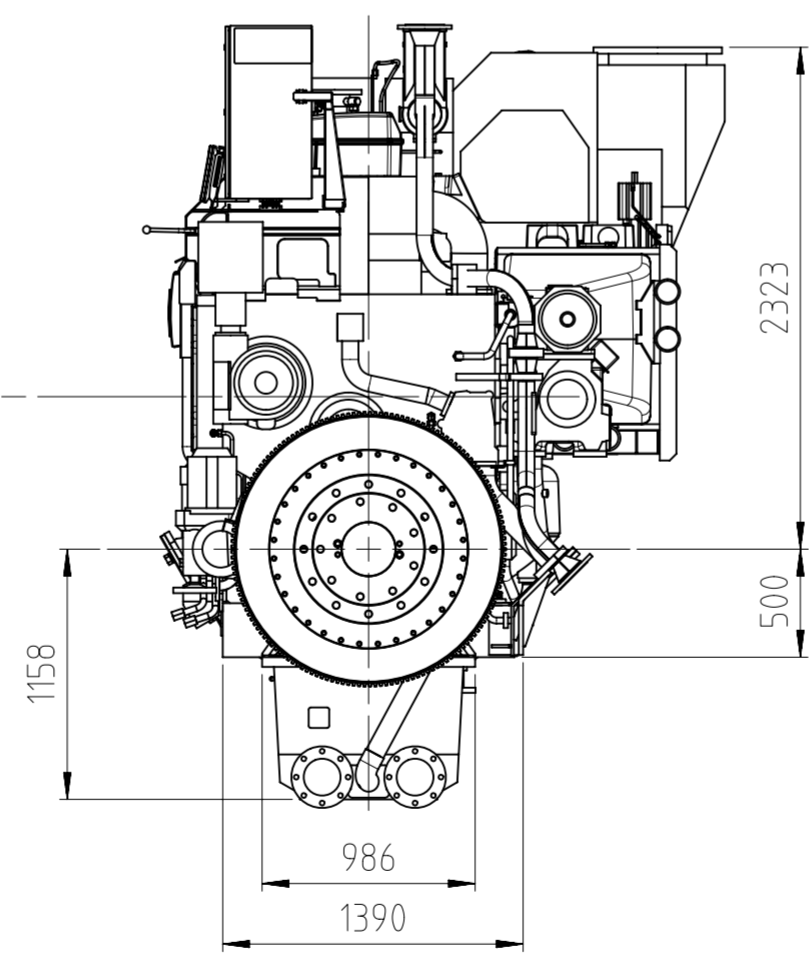
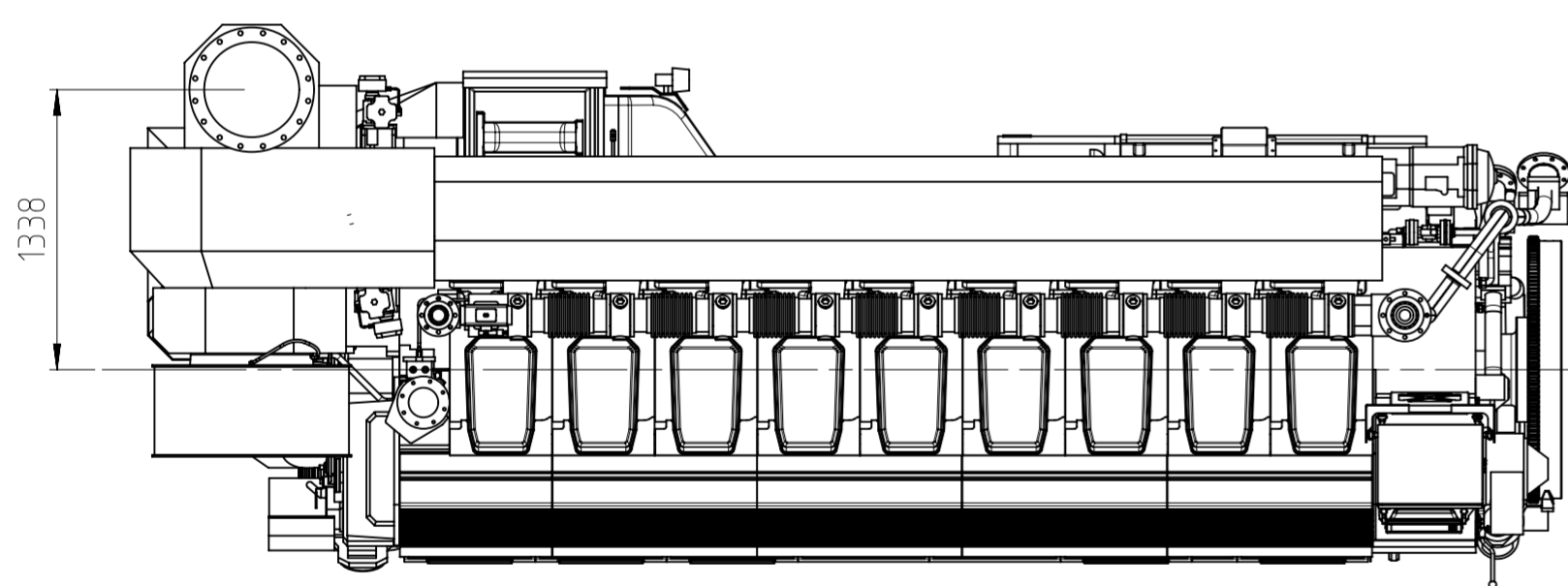
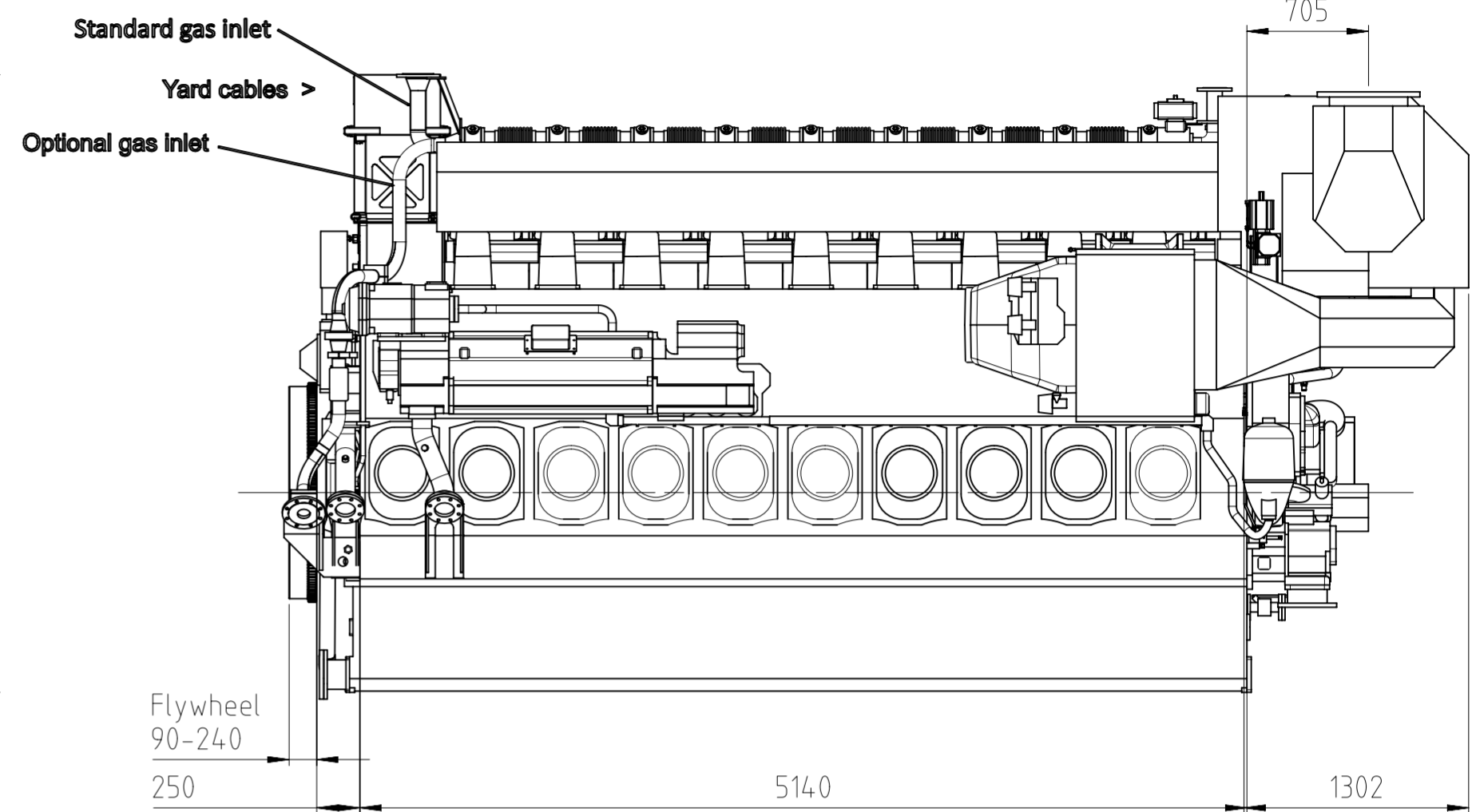
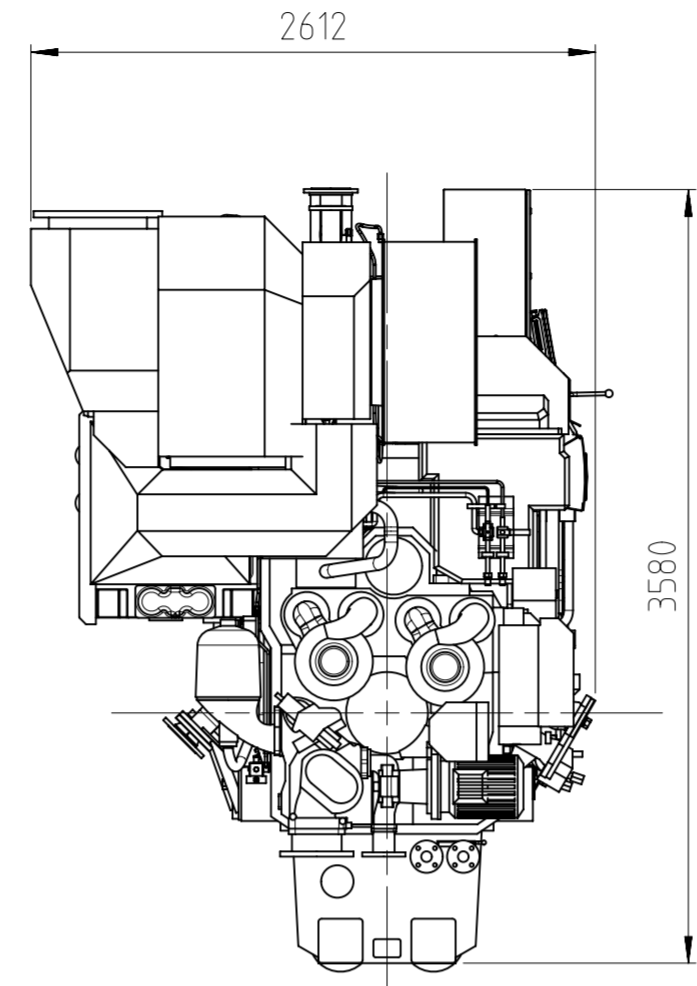
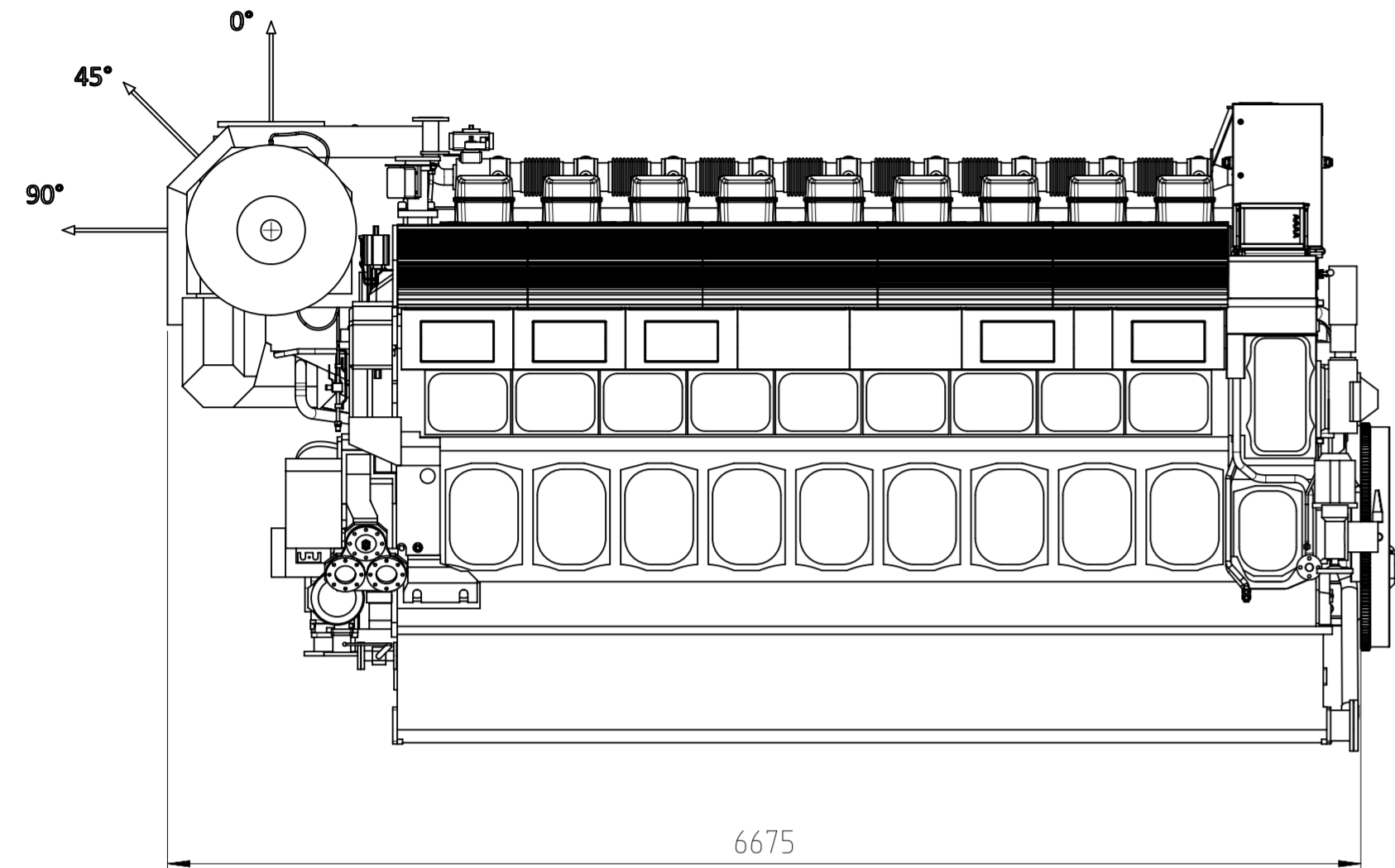


Exhaust gas outlet options



WEIGHTS w/o FLYWHEEL [kg]	
ENGINE WEIGHT	46000
OIL	-
WATER	700
TOTAL WEIGHT	46700

TC free end
Dry sump
Fixed mounting

Service space see drawing DAAF070676

		Product W9L34DF	Outline drawing Dual fuel engine	
Units	mm kg	NX	Basic Material	Net Weight
Made	12.7.2017	eda016 Danielsson	Scale 1:35	Size A2 Page 1/1 Material ID
Chkd	17.08.2017	dk1004 Klemets	Design Group	Drawing ID
Appd	22.08.2017	mtu009 Södö	58E	DAAF382380
REV.	DATE	MADE	APPVD.	MEMO NO. EXPLANATION
A	16.12.2021	dk1004	mtu009	(N-A193391) Updated to latest design