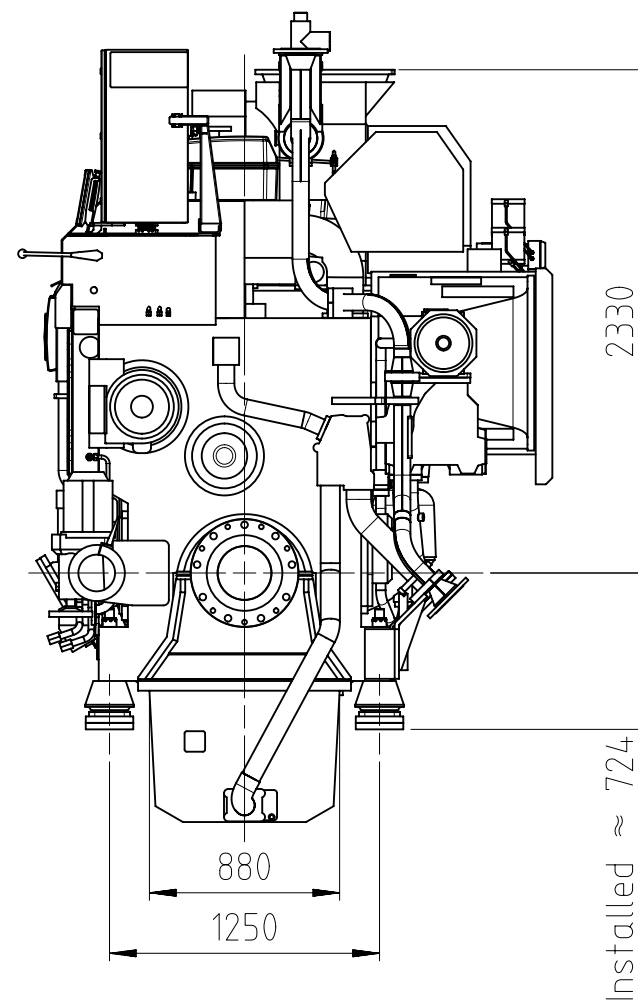
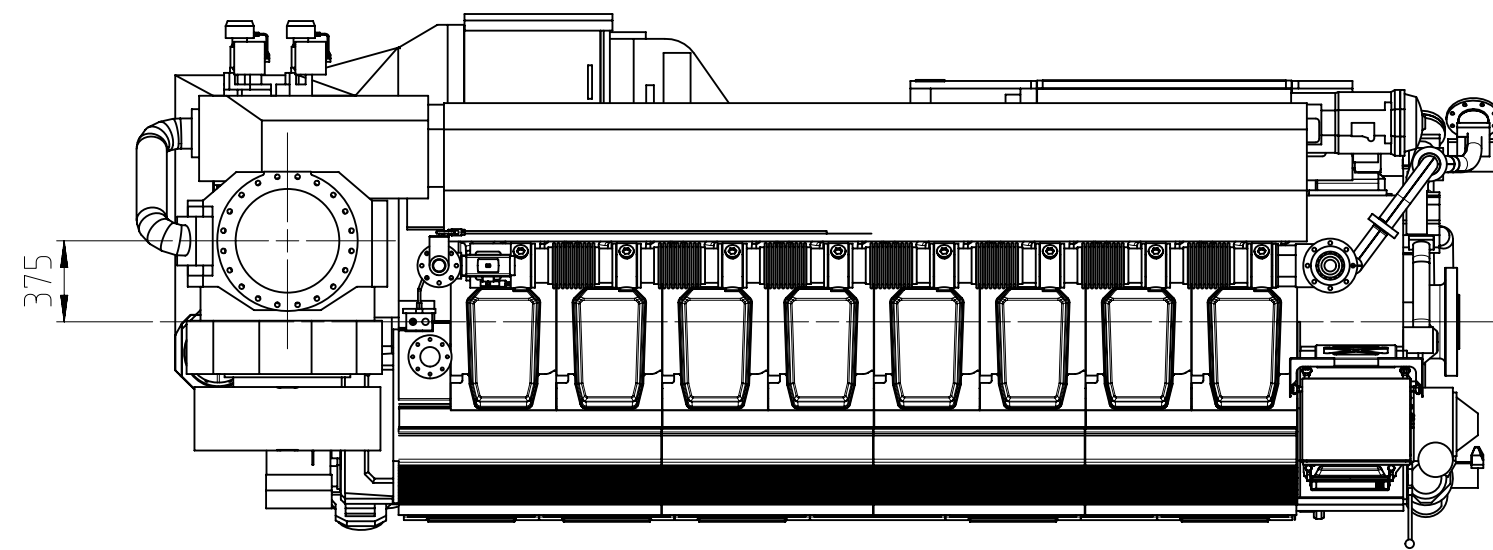
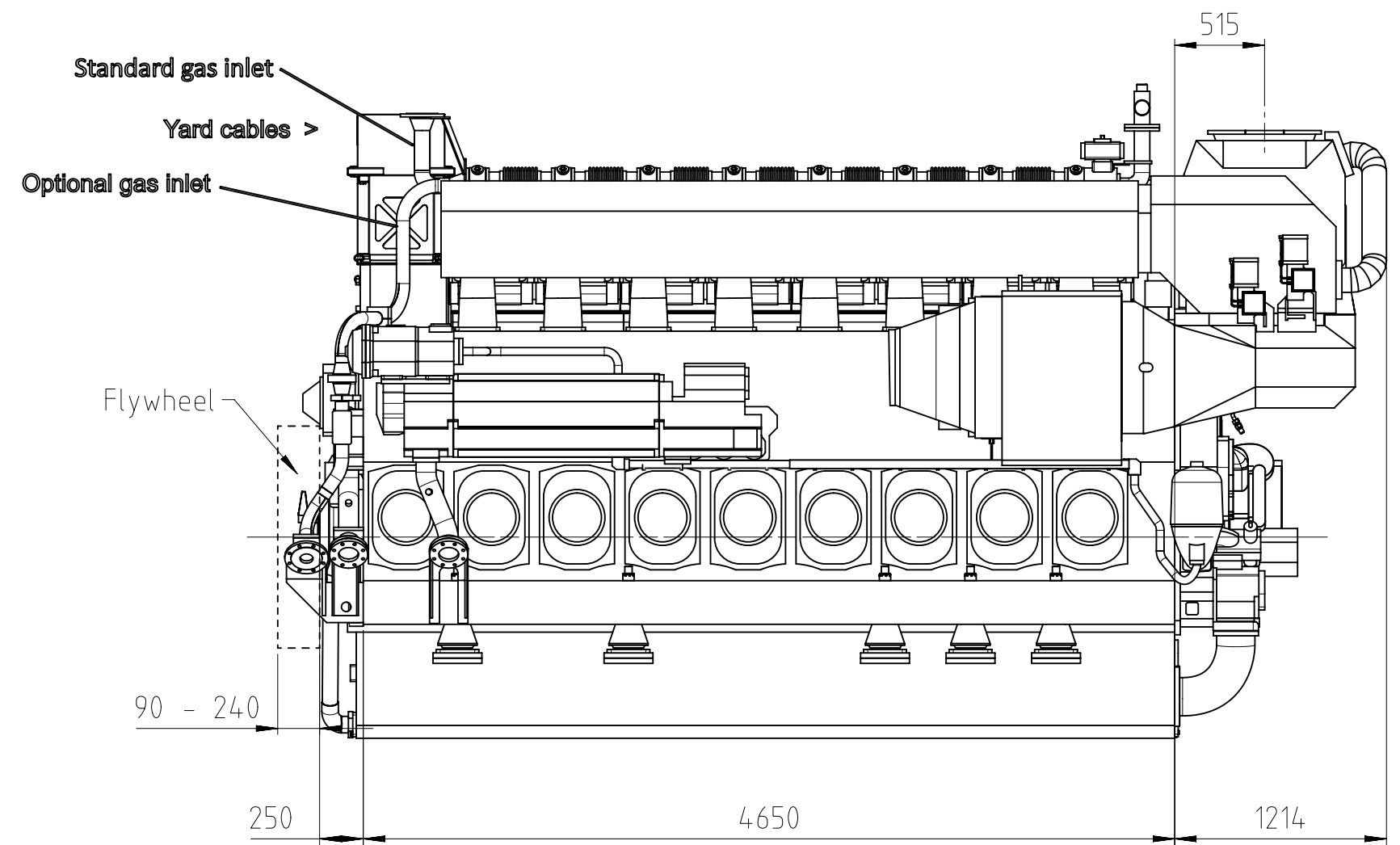
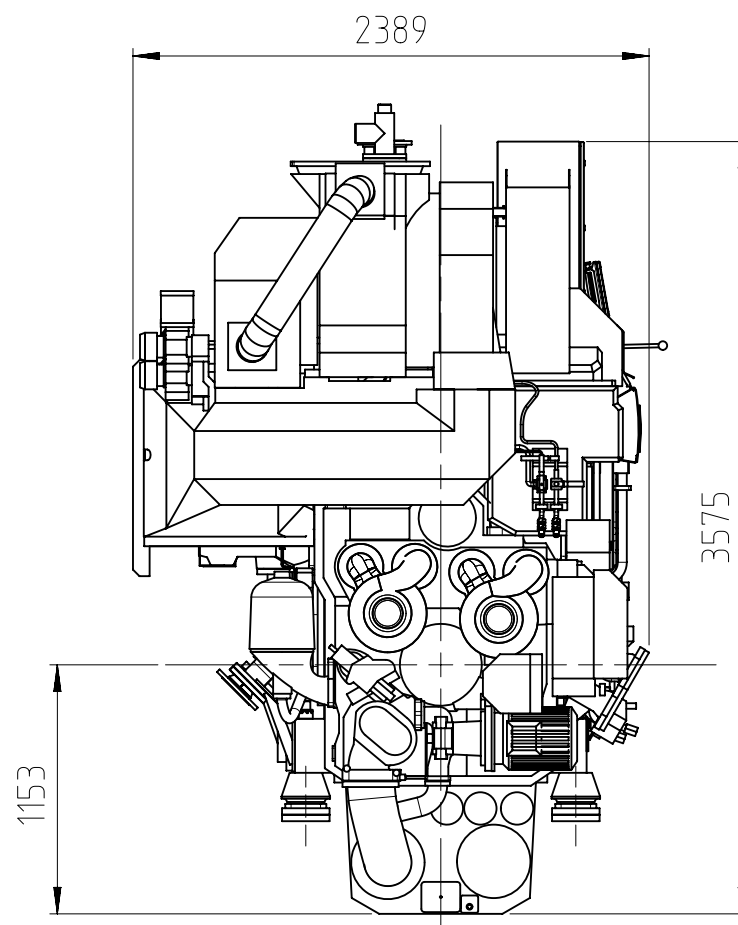
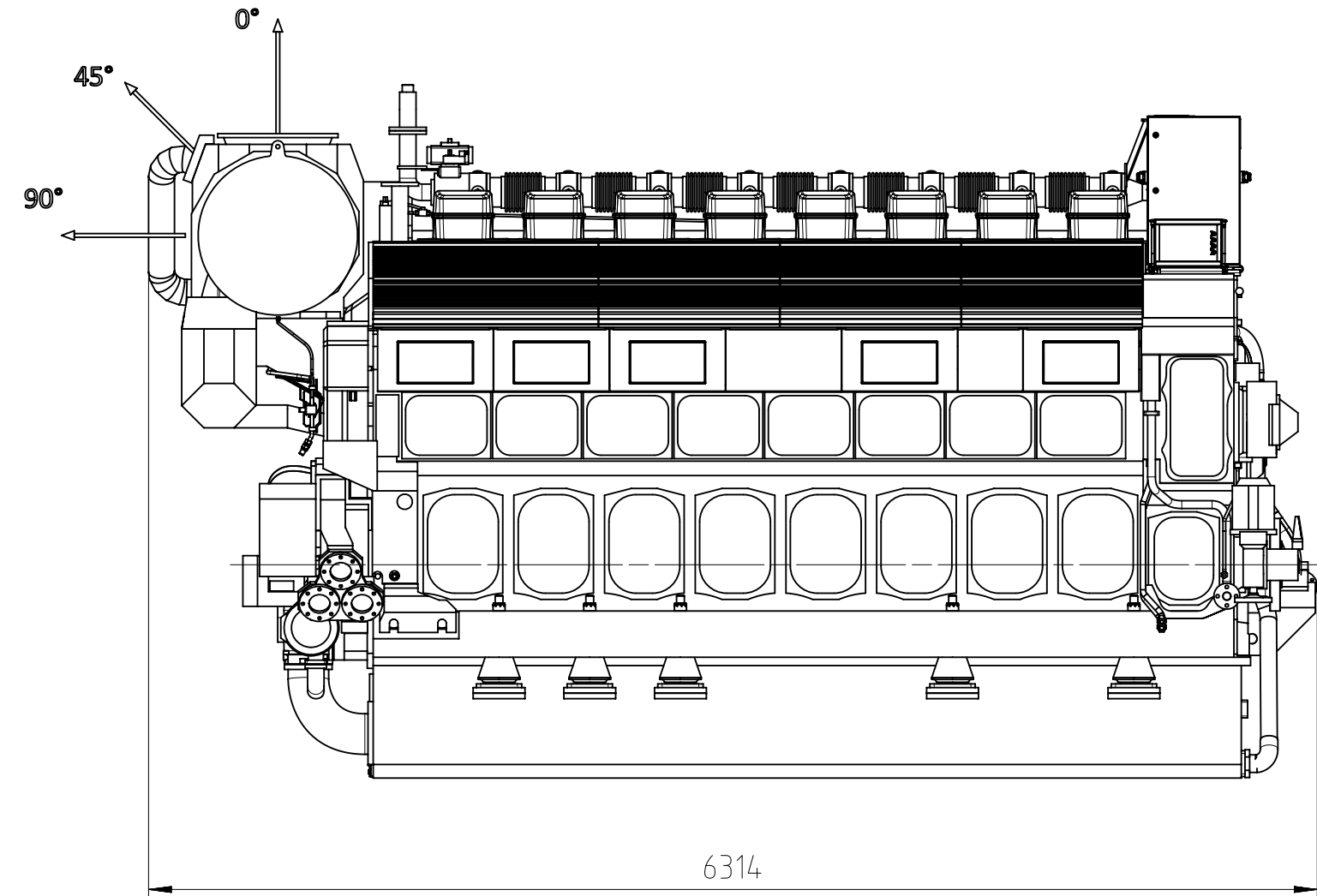


Exhaust gas outlet options



WEIGHTS w/o FLYWHEEL [kg]	
ENGINE WEIGHT	42000
FLEXIBLE MOUNTING	250
OIL	1700
WATER	700
TOTAL WEIGHT	44650

TC free end
Wet sump
Flexible mounting

Service space see drawing DAAF070676

		Product W8L34DF	Outline drawing Dual fuel engine		
Units	mm kg	NX	Basic Material	Net Weight	
Made	19.6.2017	eda016 Danielsson	Scale 1:35	Size A2 Page 1/1 Material ID	
Chkd	16.08.2017	dk1004 Klemets	Design Group	Drawing ID	
Appd	16.08.2017	tve001 Vesterbacka	58E	DAAF382152	
A		8.6.2021	AEK006	MTU009	(N-A179530) Updated to C design stage
REV.	DATE	MADE	APPVD.	MEMO NO.	EXPLANATION