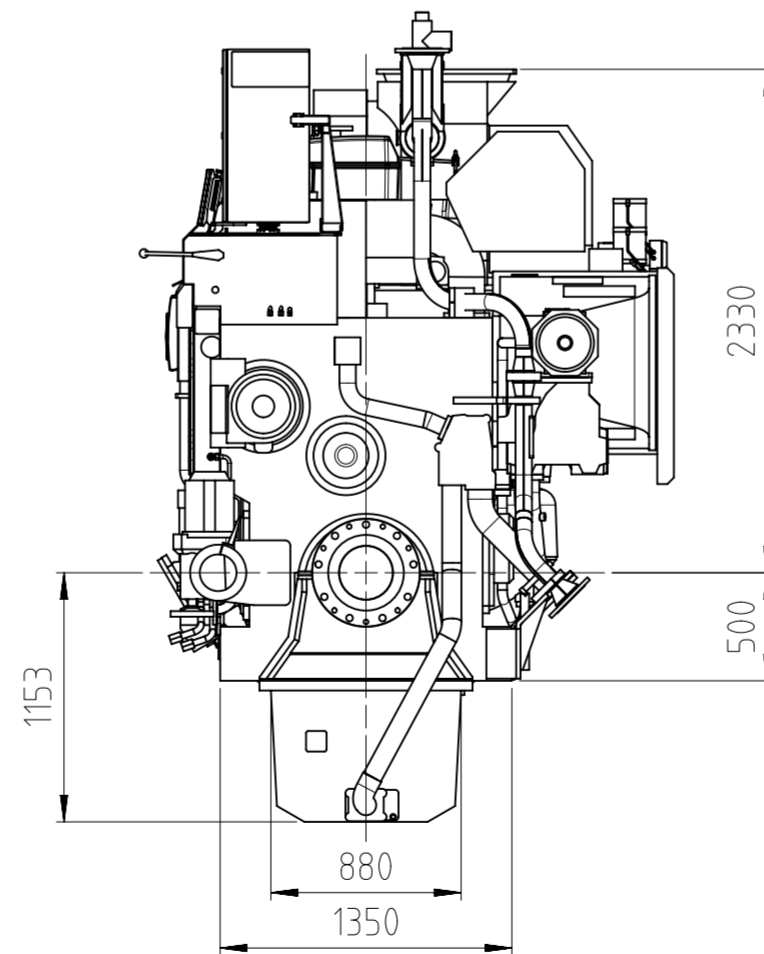
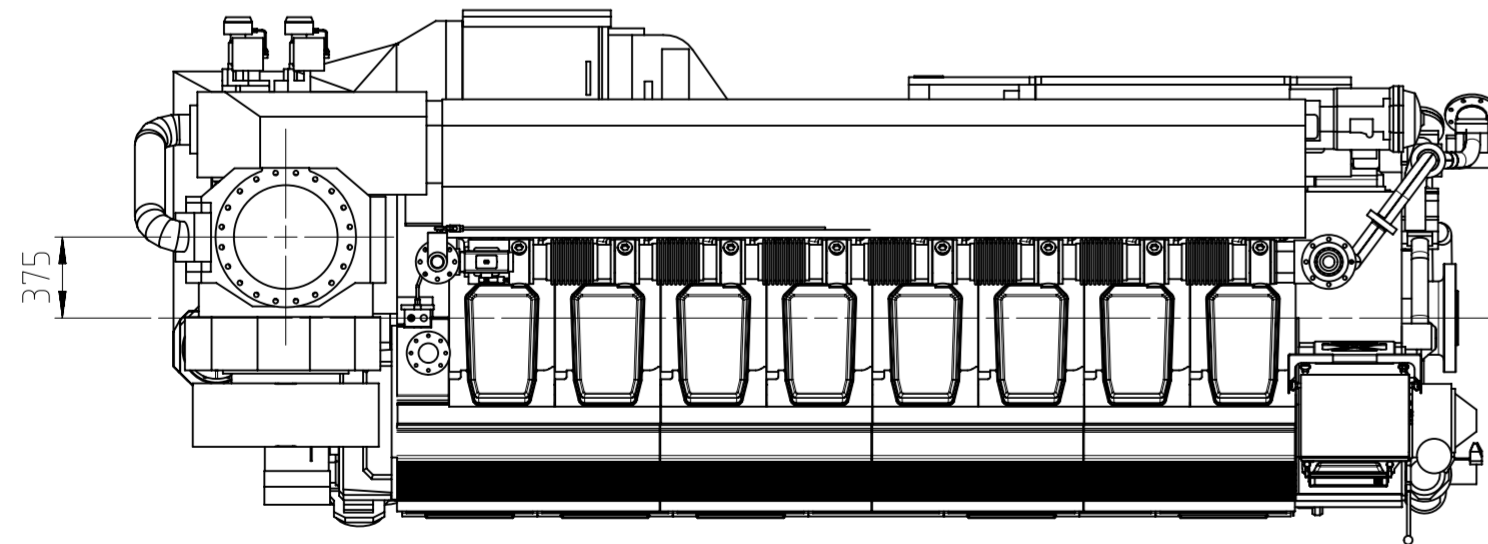
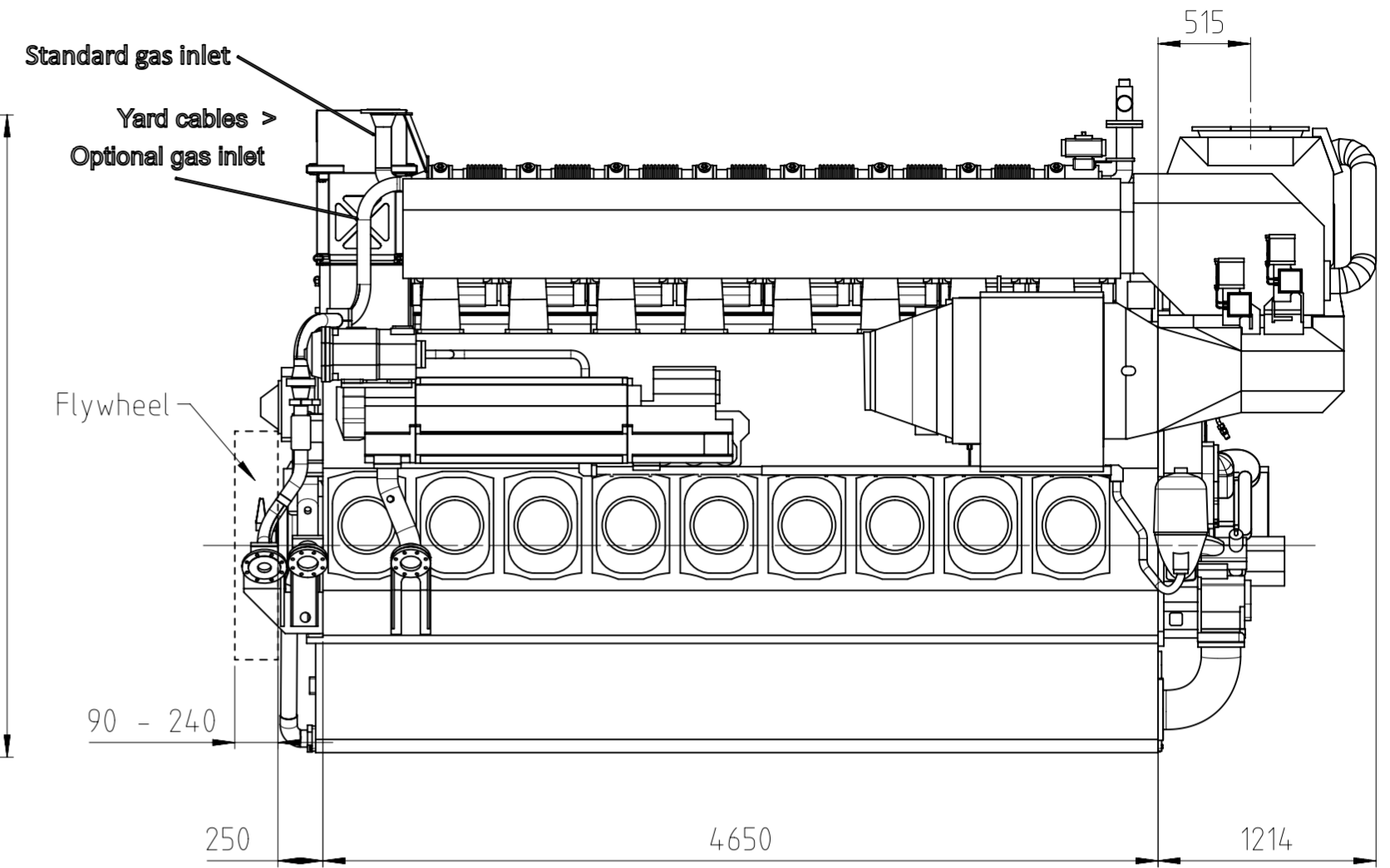
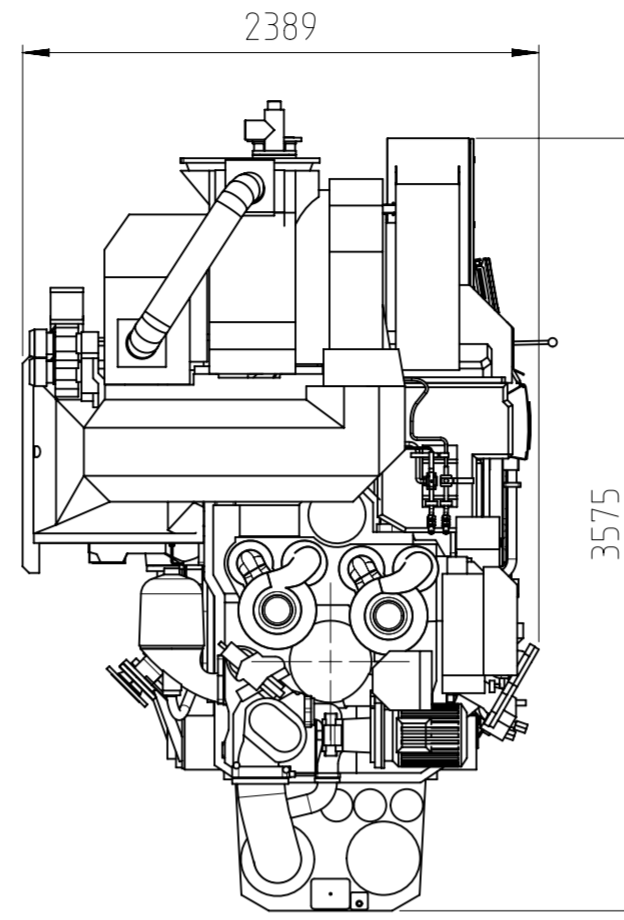
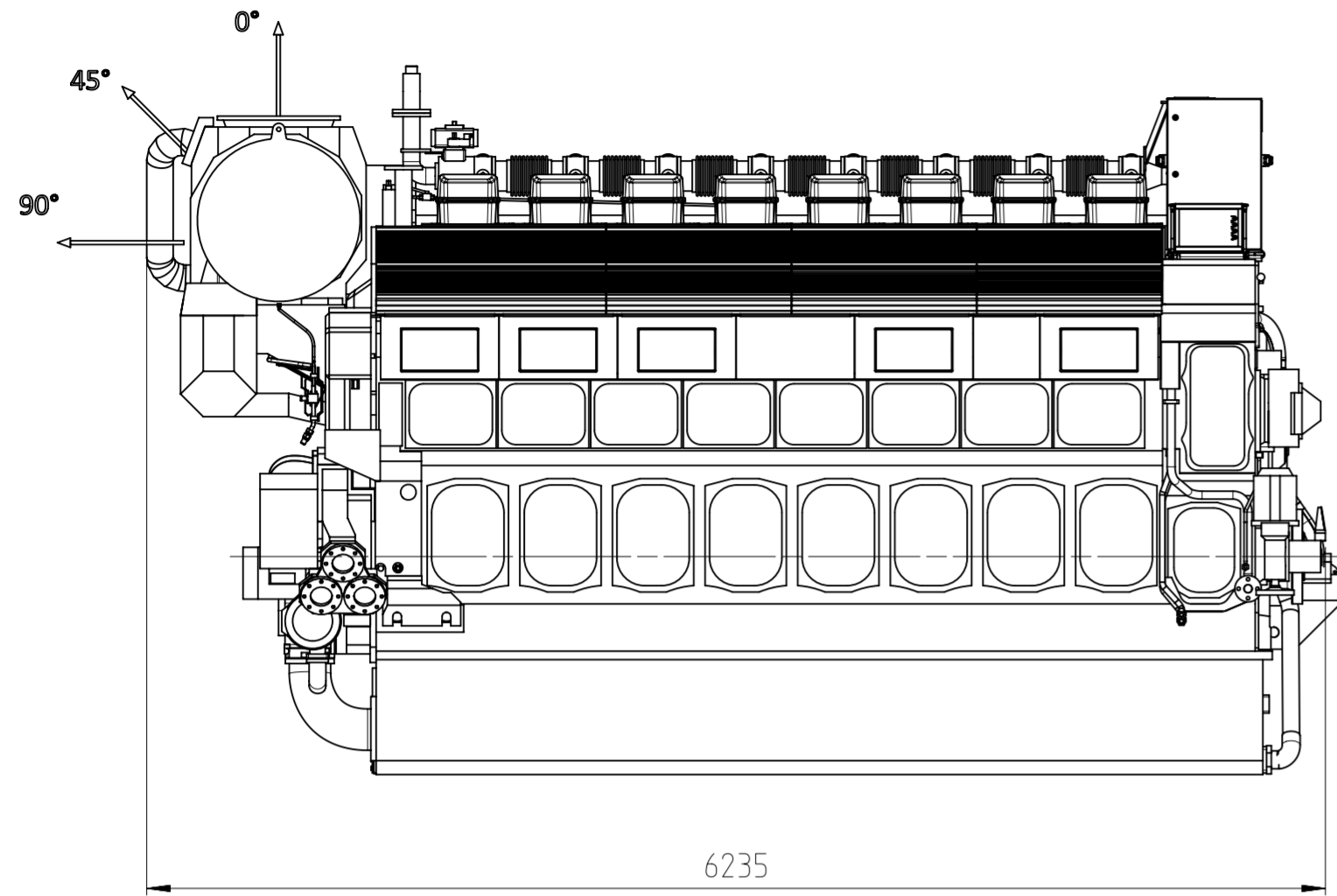


Exhaust gas outlet options



WEIGHTS w/o FLYWHEEL [kg]	
ENGINE WEIGHT	42000
OIL	1700
WATER	700
TOTAL WEIGHT	44400

TC free end  
Wet sump  
Fixed mounting

Service space see drawing DAAF070676

		Product W8L34DF		Outline drawing Dual fuel engine							
		Units	mm kg	NX	Basic Material	Net Weight					
Made	16.6.2017	eda016	Danielsson	Scale	1:35	Size	A2	Page	1/1	Material ID	
Chkd	16.08.2017		dk1004 Klemets	Design Group	58E0	Drawing ID	DAAF382032		Drawing Rev	A	
Appd	16.08.2017		tve001 Vesterbacka								

A	8.6.2021	AEK006	MTU009	(N-A179530)	Updated to C design stage
REV.	DATE	MADE	APPVD.	MEMO NO.	EXPLANATION