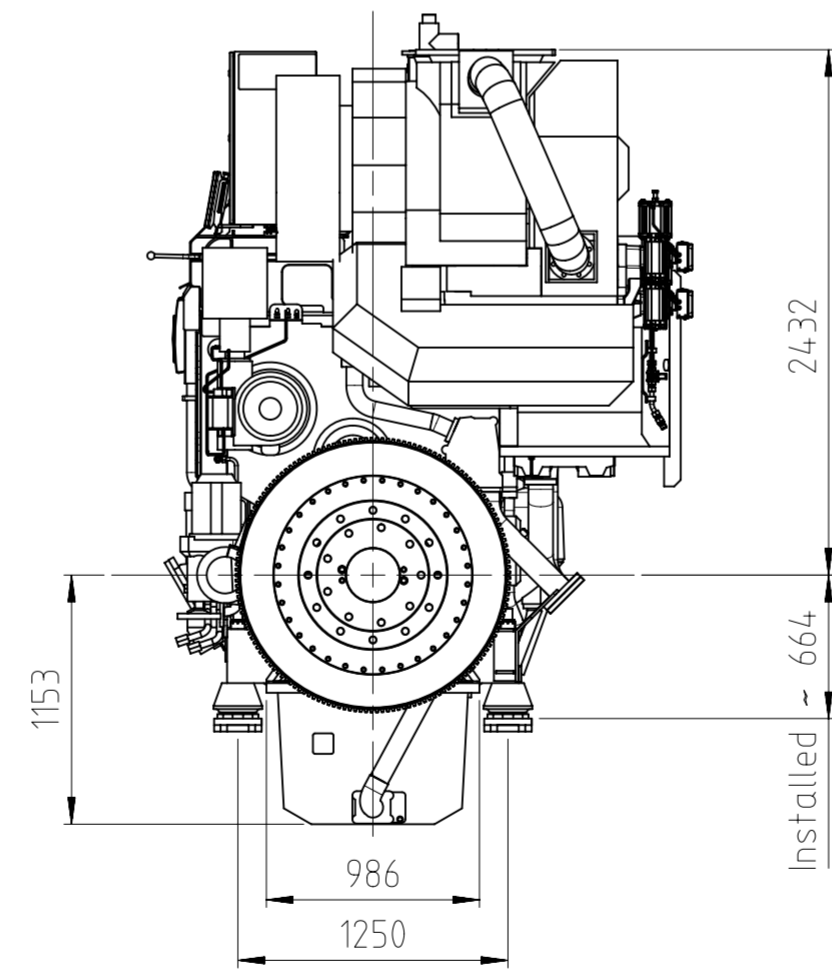
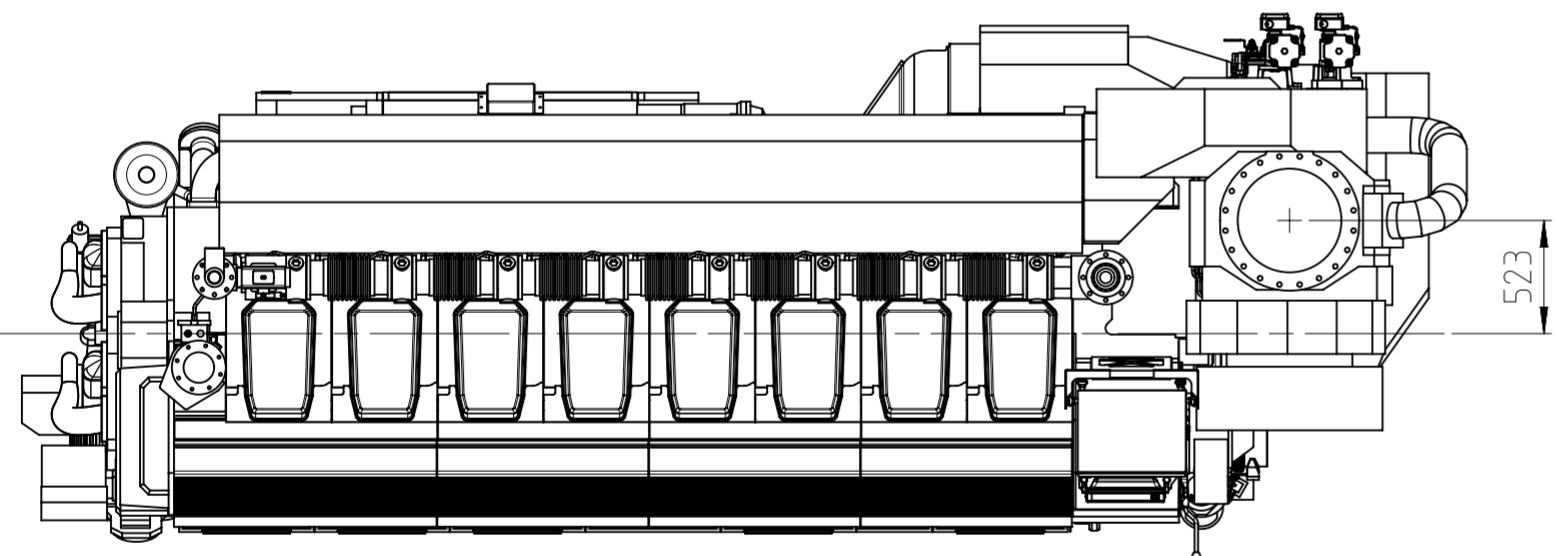
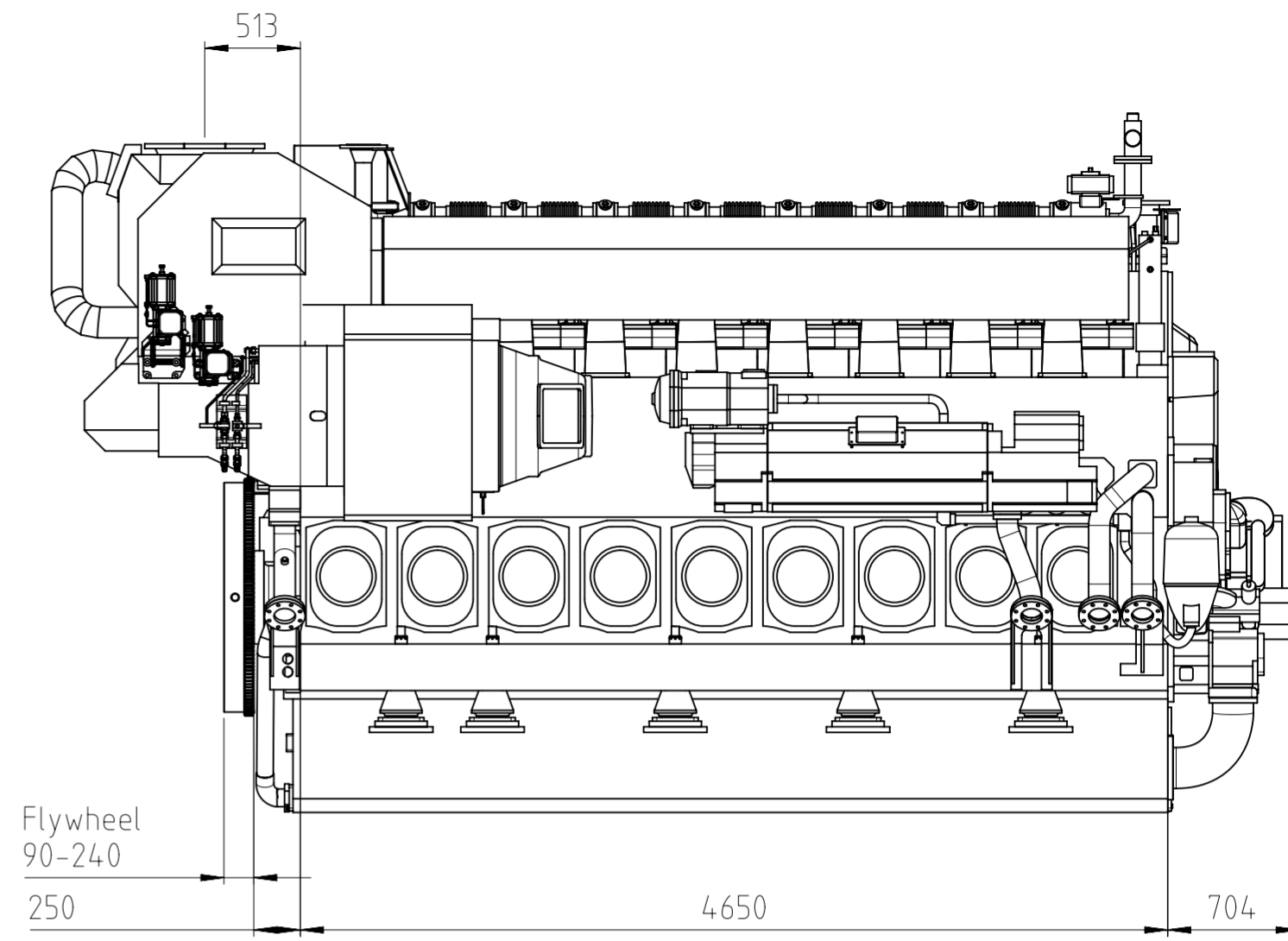
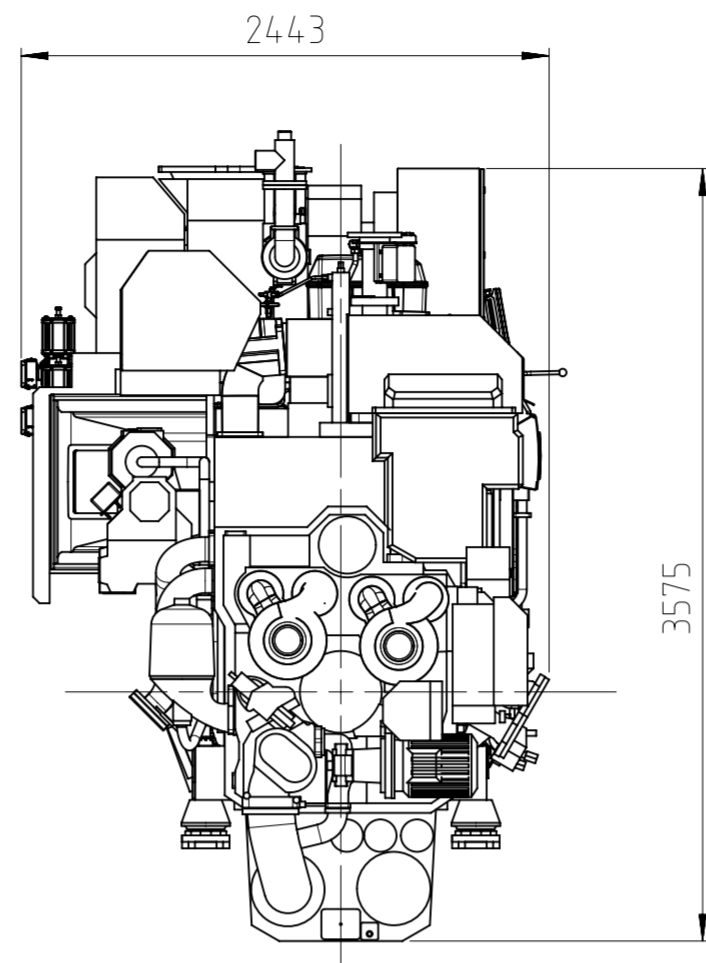
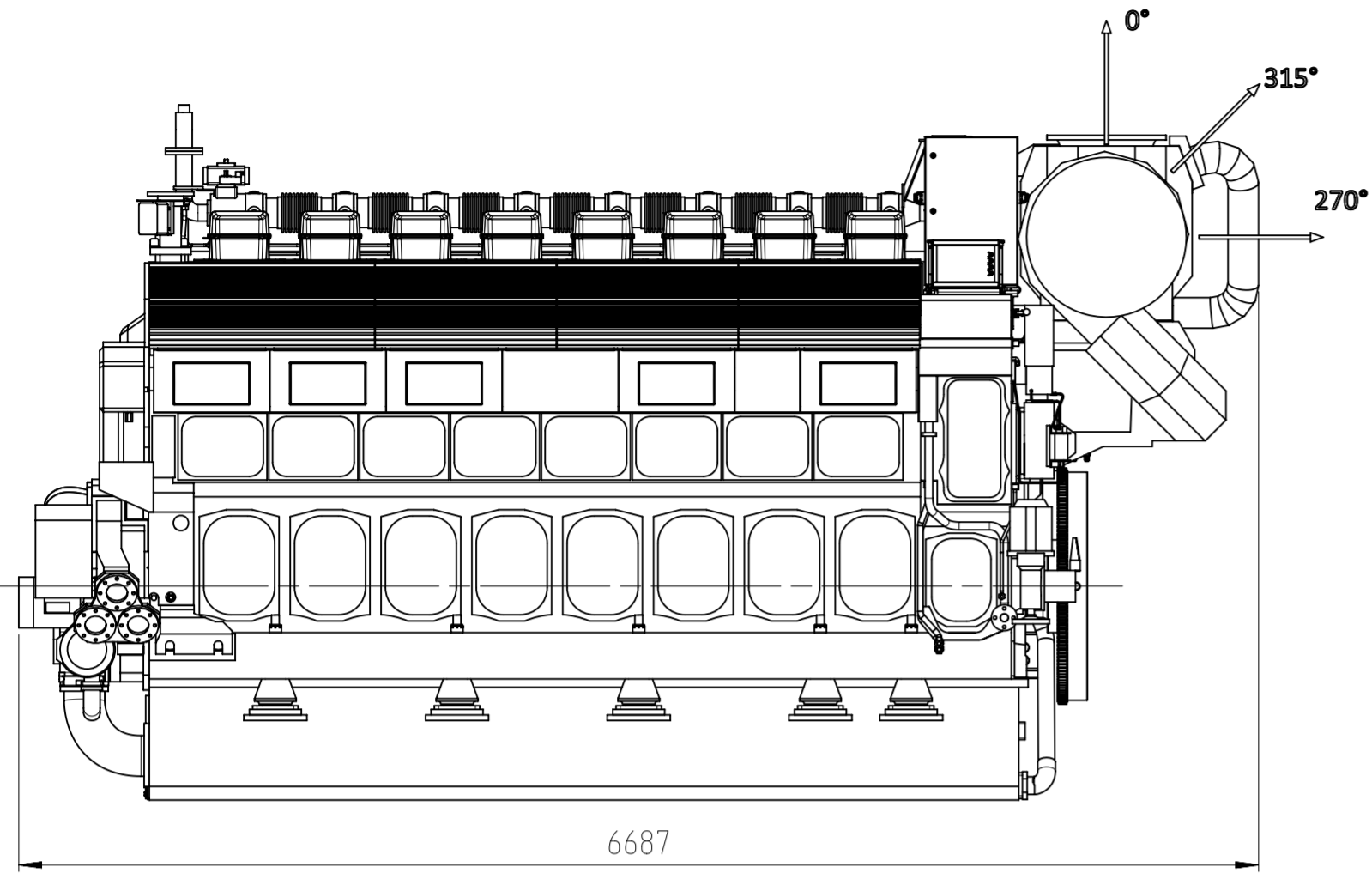


Exhaust gas outlet options



WEIGHTS w/o FLYWHEEL [kg]	
ENGINE WEIGHT	42000
FLEXIBLE MOUNTING	250
OIL	1700
WATER	700
TOTAL WEIGHT	44650

TC driving end
Wet sump
Flexible mounting

Service space see drawing DAAF088437

		Product W8L34DF		Outline drawing Dual fuel engine			
		Units mm kg	NX	Basic Material	Net Weight		
Made	19.6.2017	eda016	Danielsson	Scale 1:35	Size A2	Page 1/1	Material ID
Chkd	16.08.2017	dk1004 Klemets		Design Group	Drawing ID		Drawing Rev
Appd	16.08.2017	tve001 Vesterbacka		58E0	DAAF382184		A

REV.	DATE	MADE	APPVD.	MEMO NO.	EXPLANATION
A	11.6.2021	AEK006	MTU009	(N-A179530)	Updated to C design stage

Approved
DID - DIMENSIONAL DRAWING - Confidential