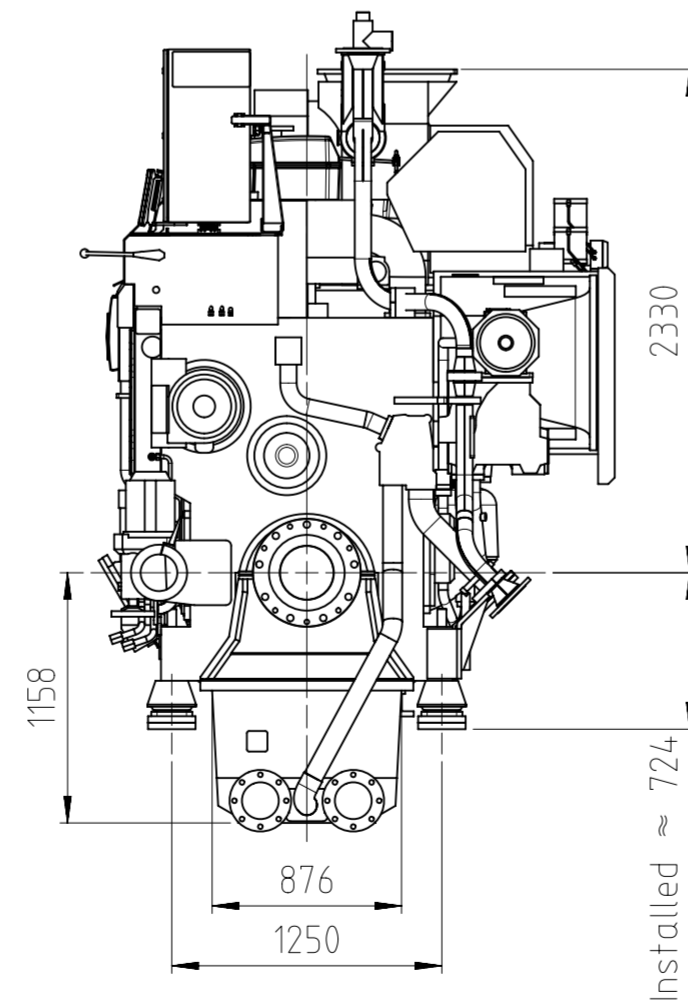
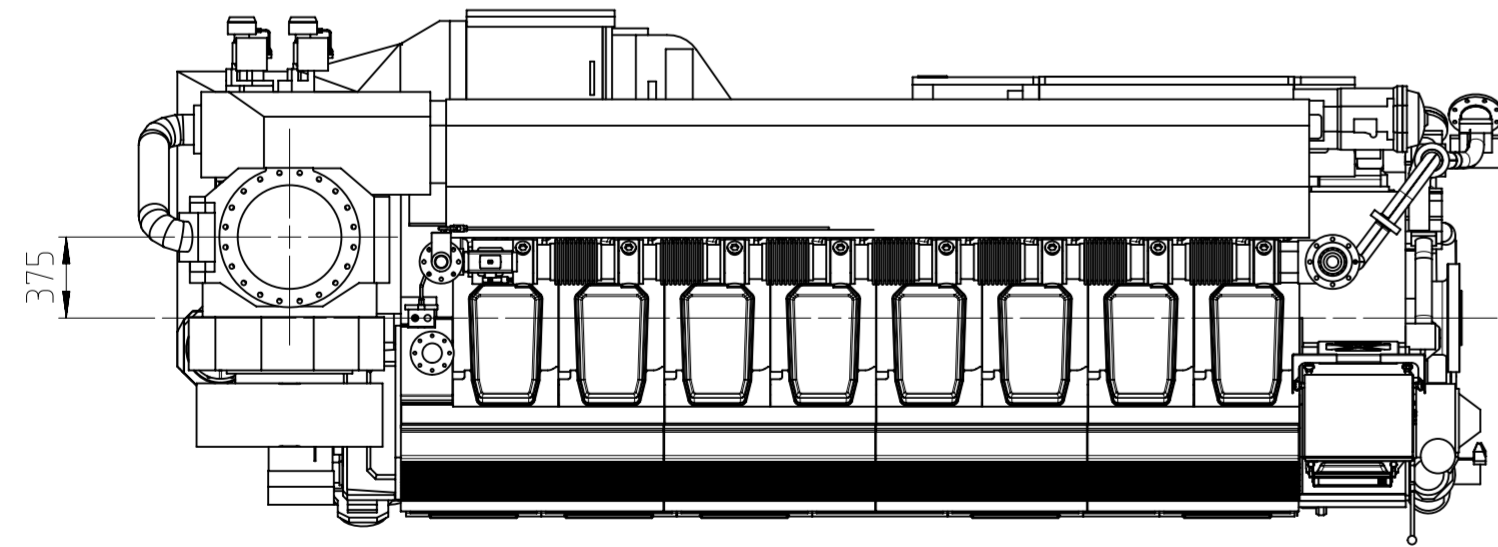
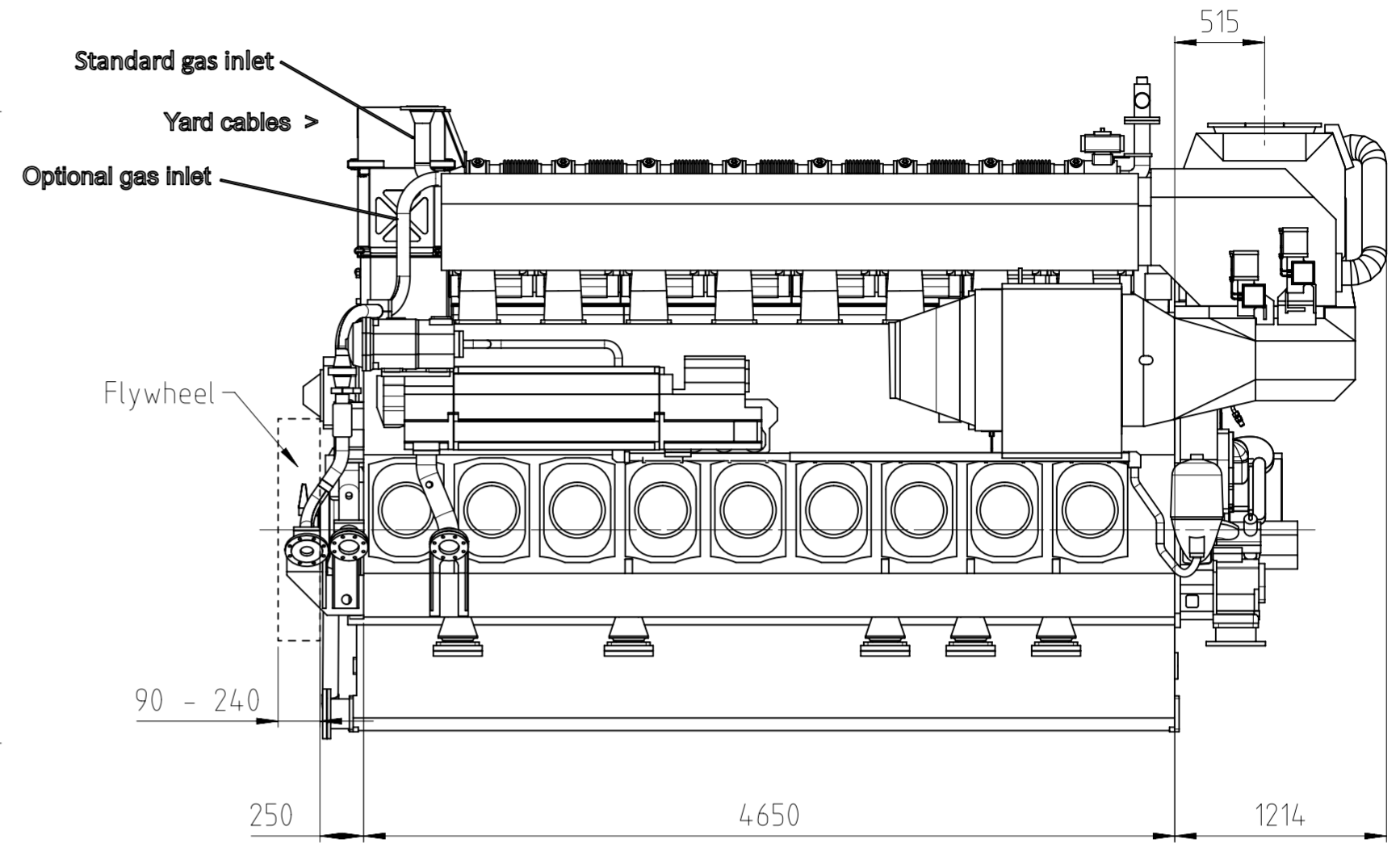
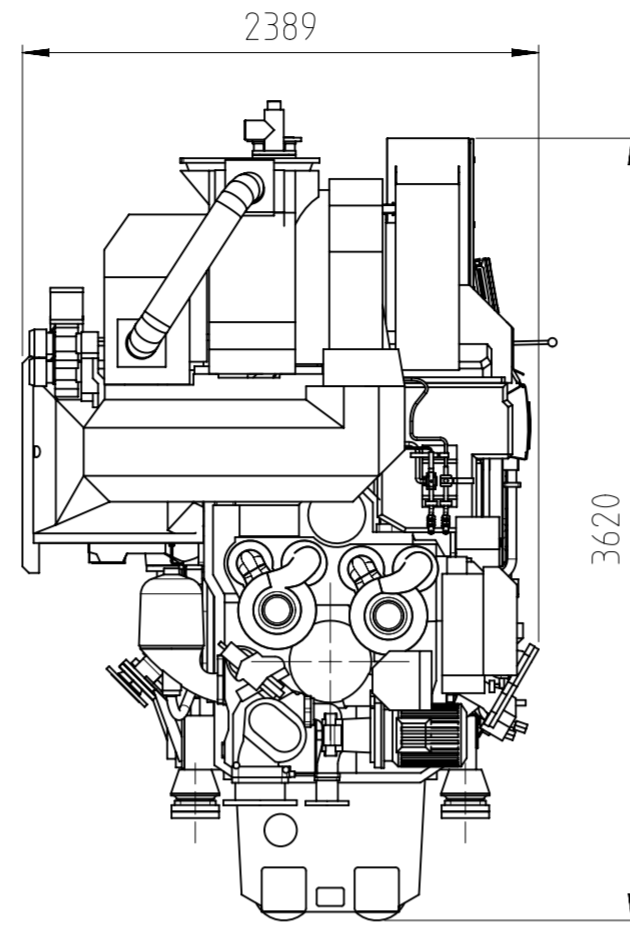
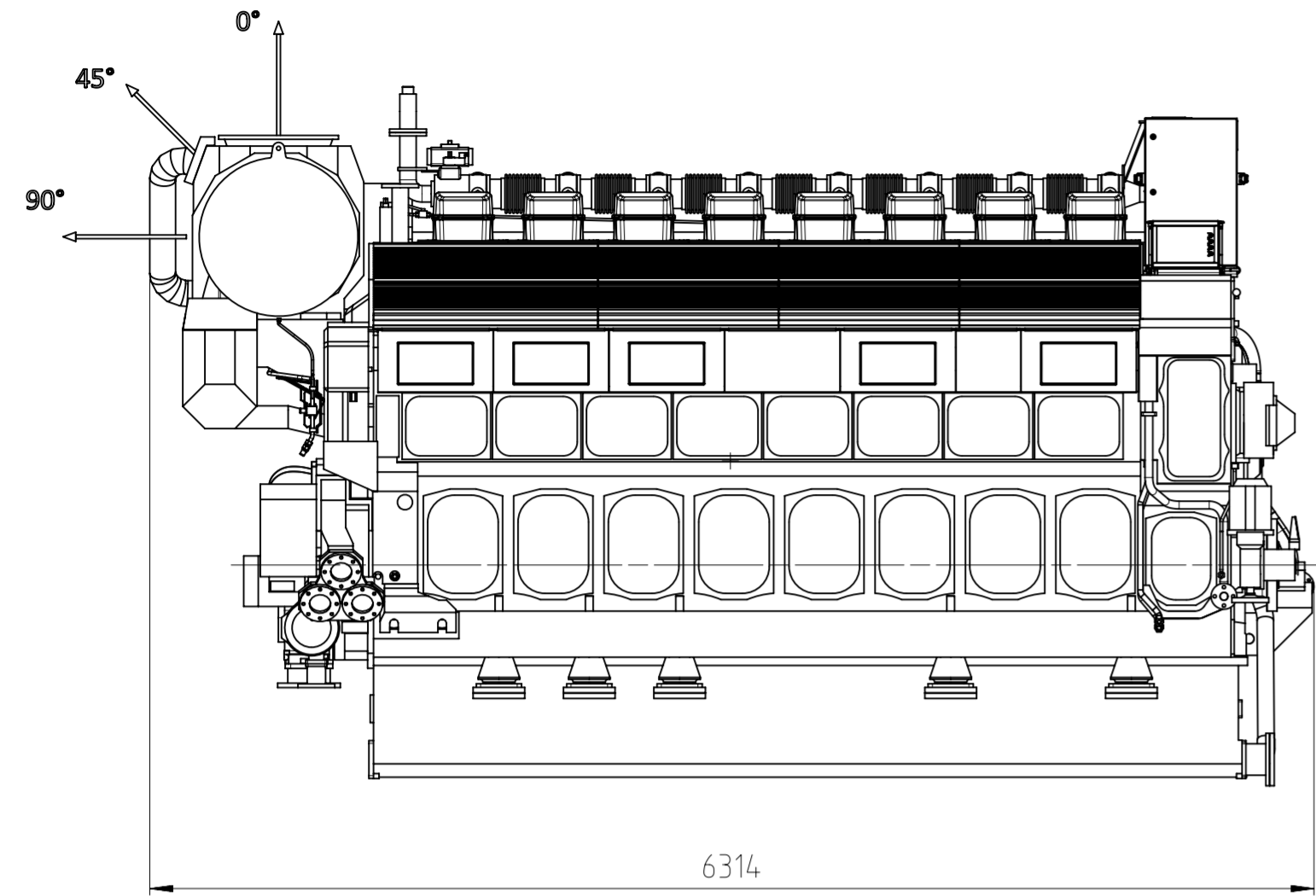


Exhaust gas outlet options



WEIGHTS w/o FLYWHEEL [kg]	
ENGINE WEIGHT	42000
FLEXIBLE MOUNTING	250
OIL	-
WATER	700
TOTAL WEIGHT	42950

TC free end
Dry sump
Flexible mounting

Service space see drawing DAAF070676

		Product W8L34DF	Outline drawing Dual fuel engine		
Units	mm kg	NX	Basic Material	Net Weight	
Made	16.6.2017	eda016 Danielsson	Scale 1:35	Size A2	Page 1/1
Chkd	16.08.2017	dk1004 Klemets	Design Group	Material ID	
Appd	16.08.2017	tve001 Vesterbacka	58E0	Drawing ID	DAAF382027
A 11.6.2021 AEK006 MTU009 (N-A179530) Updated to C design stage			Drawing Rev A		
REV. DATE MADE APPVD. MEMO NO. EXPLANATION					