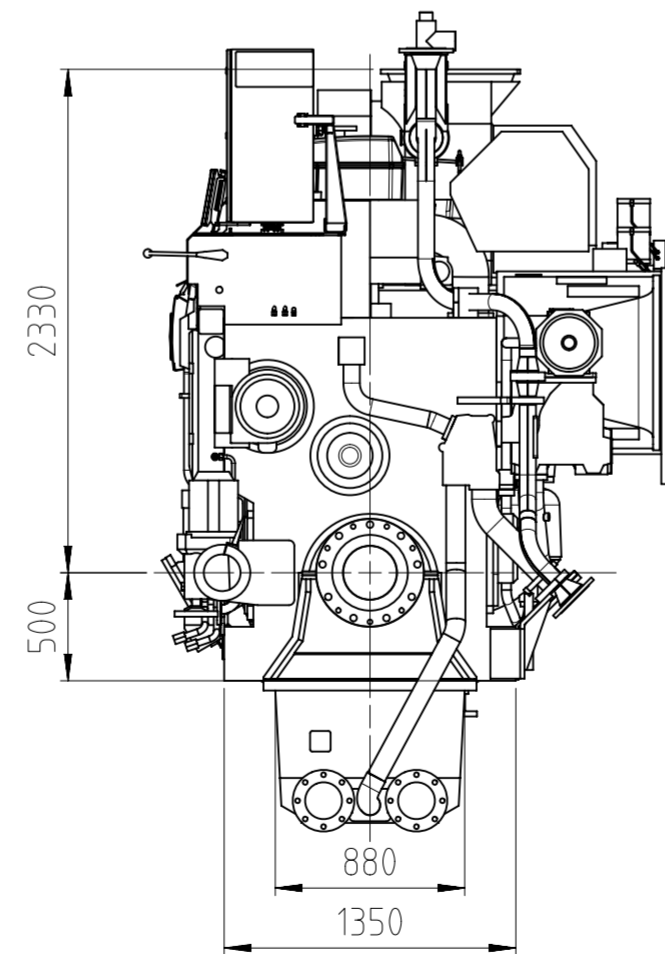
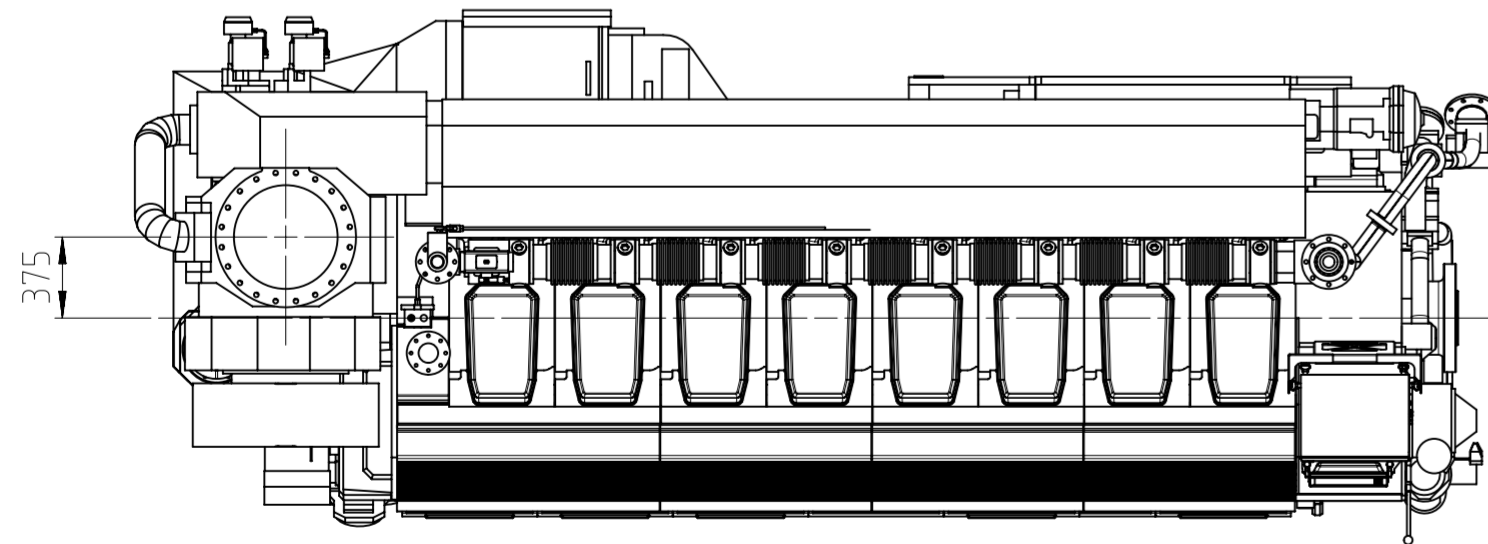
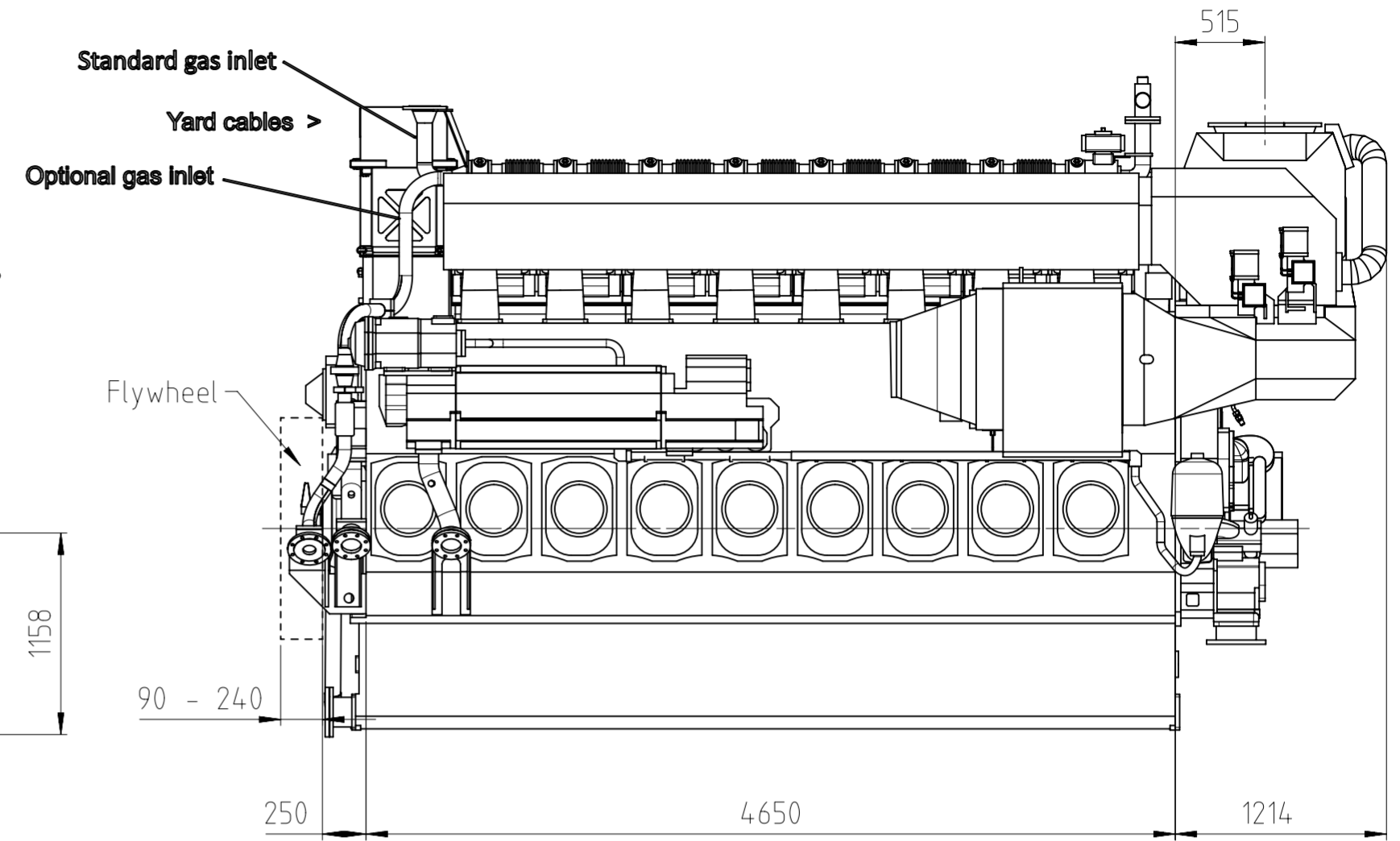
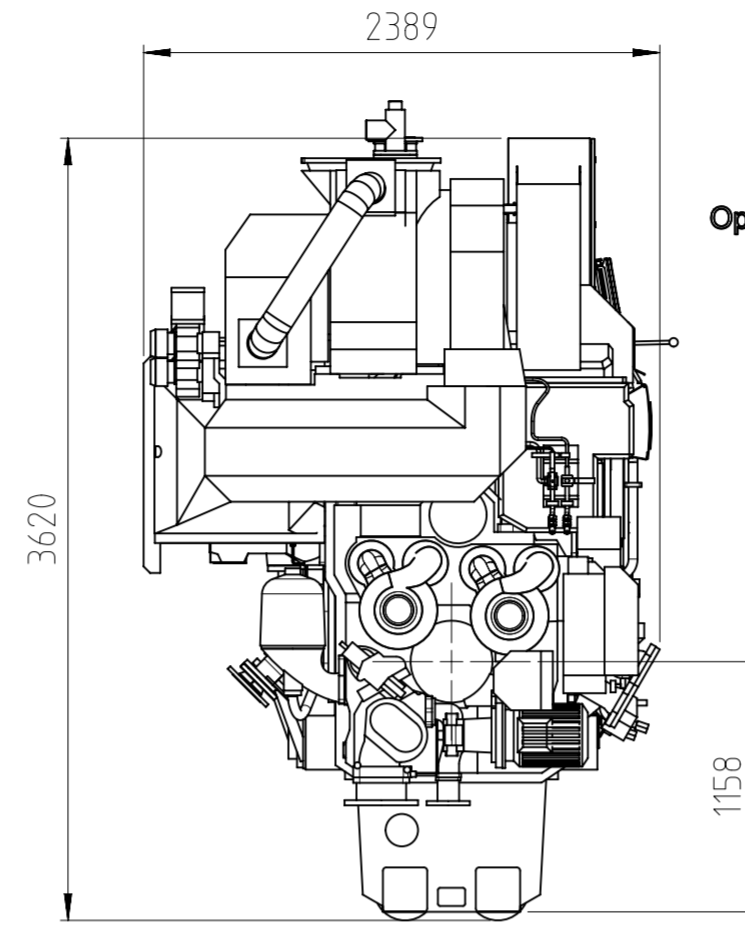
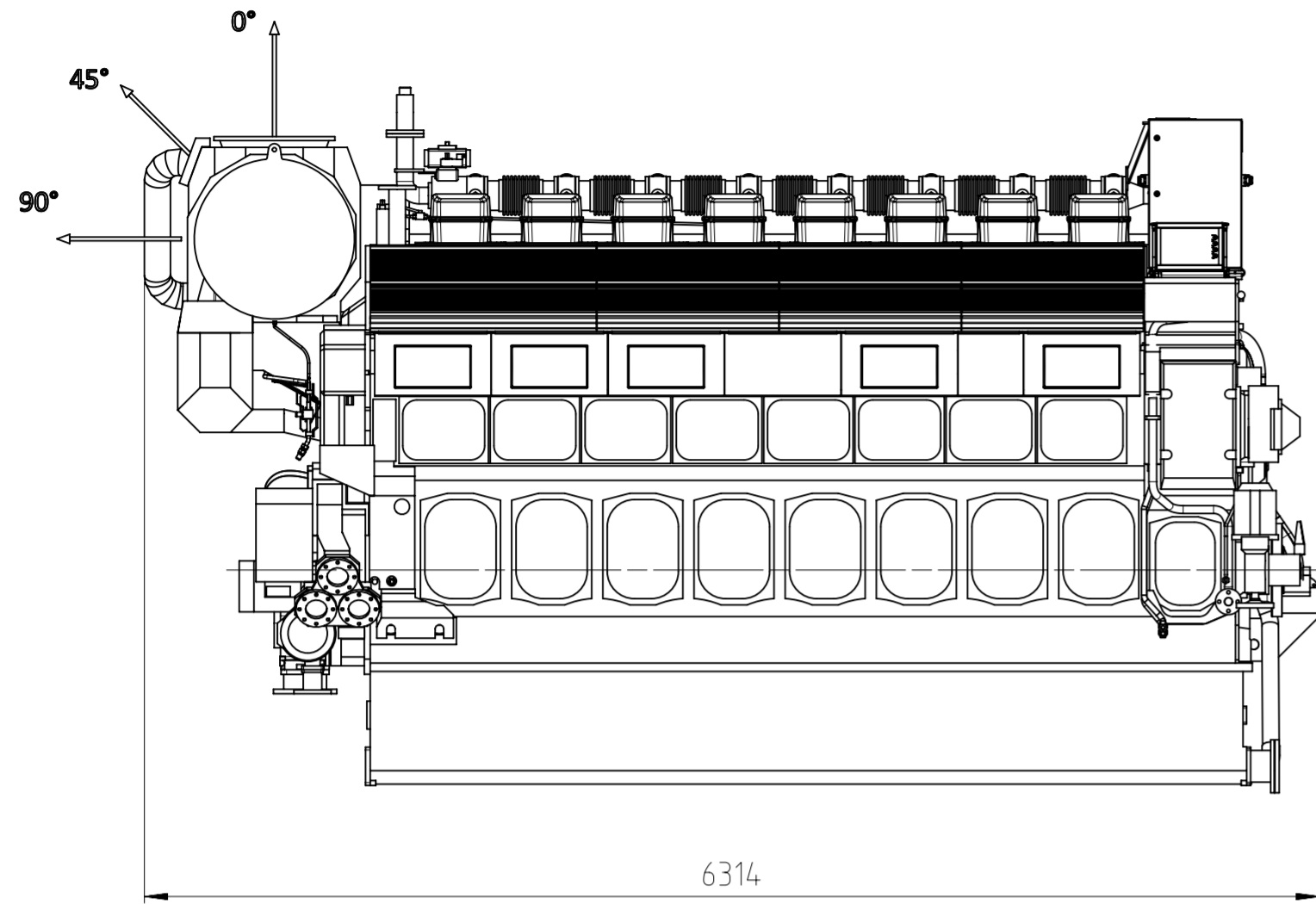


Exhaust gas outlet options



WEIGHTS w/o FLYWHEEL [kg]	
ENGINE WEIGHT	42000
OIL	-
WATER	700
TOTAL WEIGHT	42700

TC free end
Dry sump
Fixed mounting

Service space see drawing DAAF070676

		Product W8L34DF		Outline drawing Dual fuel engine							
		Units	mm kg	NX	Basic Material	Net Weight					
Made	16.6.2017	eda016	Danielsson	Scale	1:35	Size	A2	Page	1/1	Material ID	
Chkd	16.08.2017	dk1004	Klemets	Design Group	58E0	Drawing ID	DAAF381993			Drawing Rev	A
Appd	16.08.2017	tve001	Vesterbacka								

A	9.6.2021	AEK006	MTU009	(N-A179530)	Updated to C design stage
REV.	DATE	MADE	APPVD.	MEMO NO.	EXPLANATION