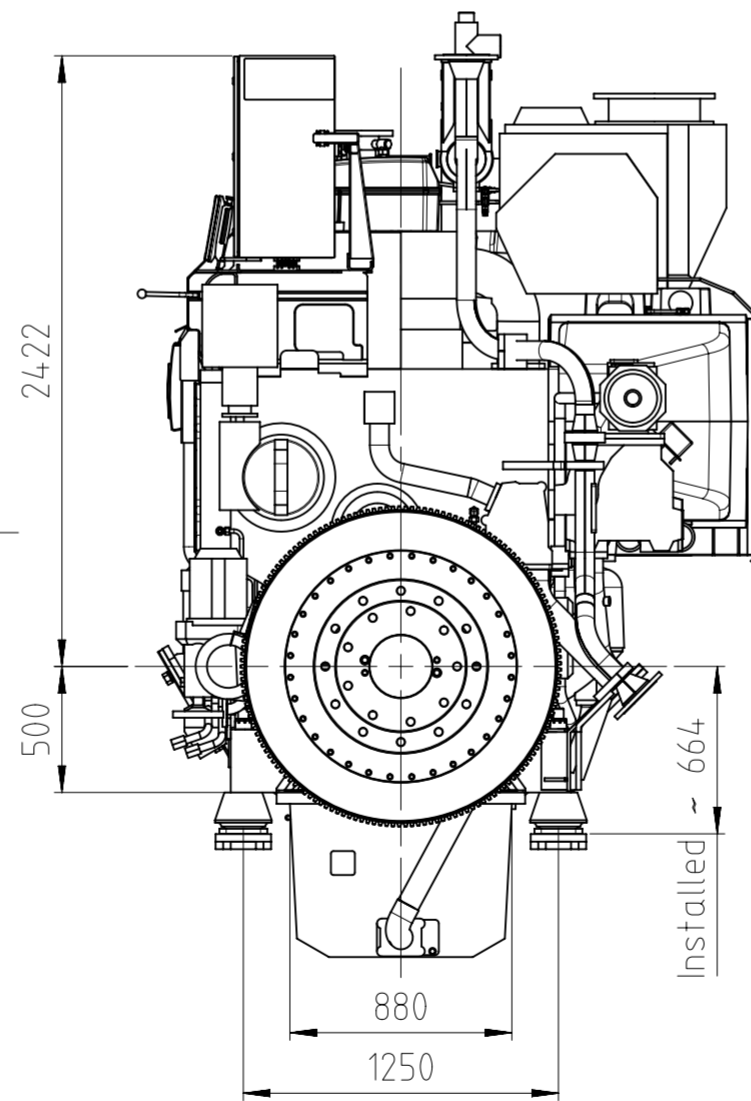
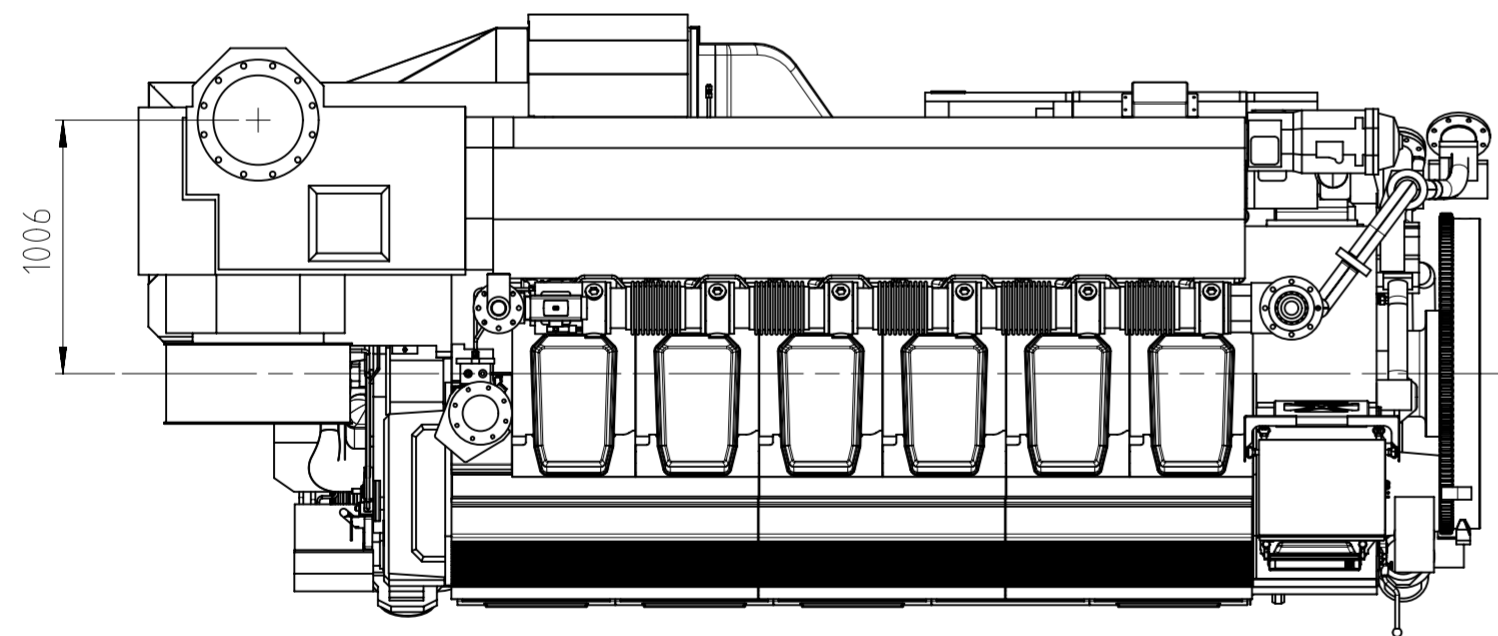
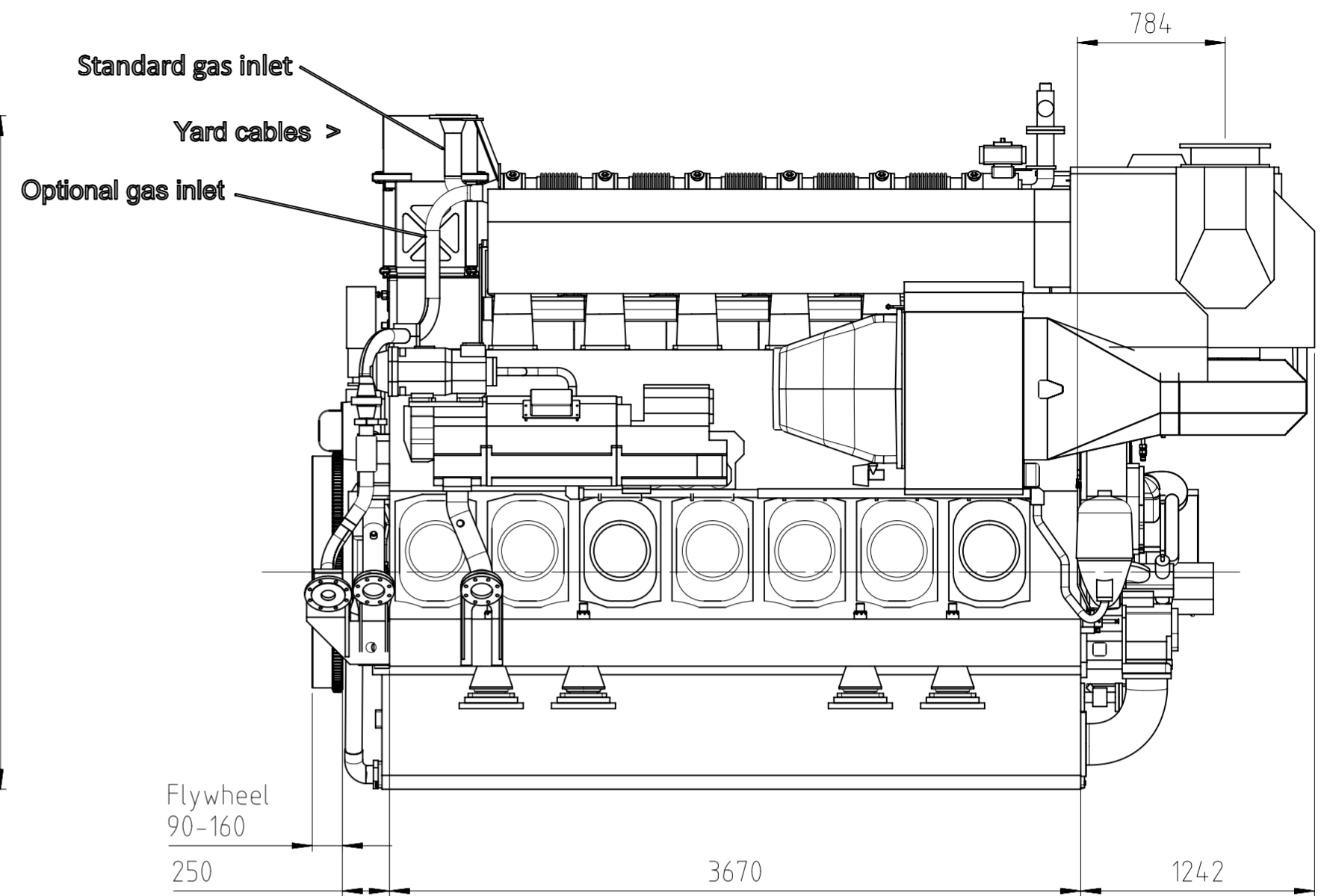
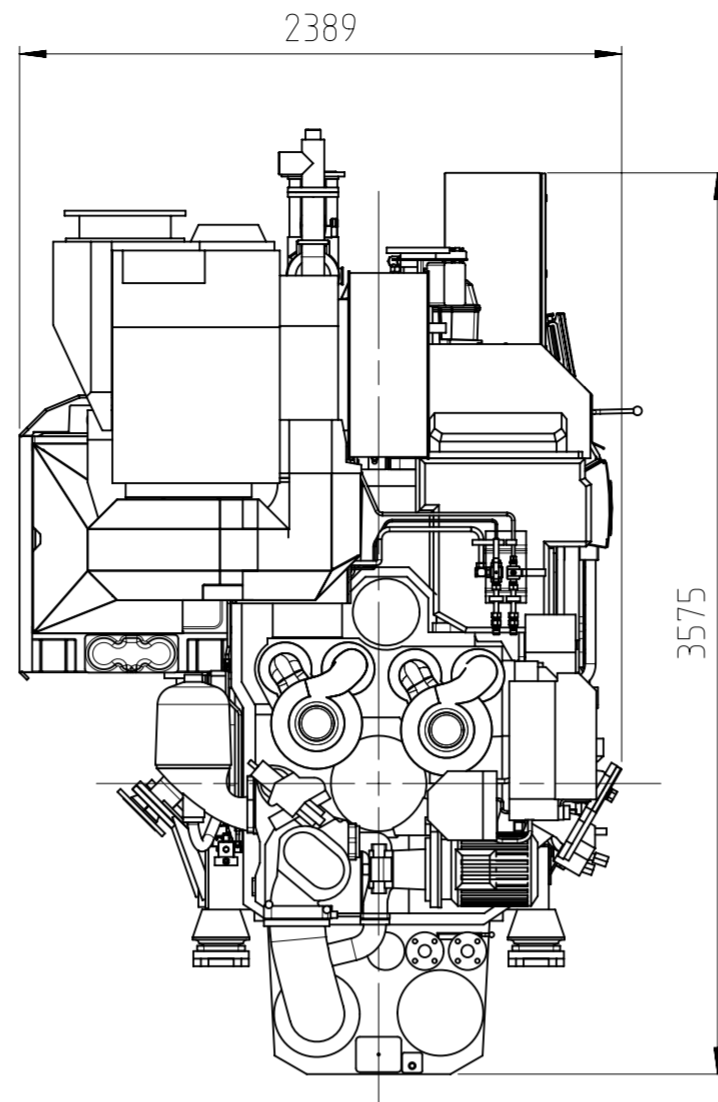
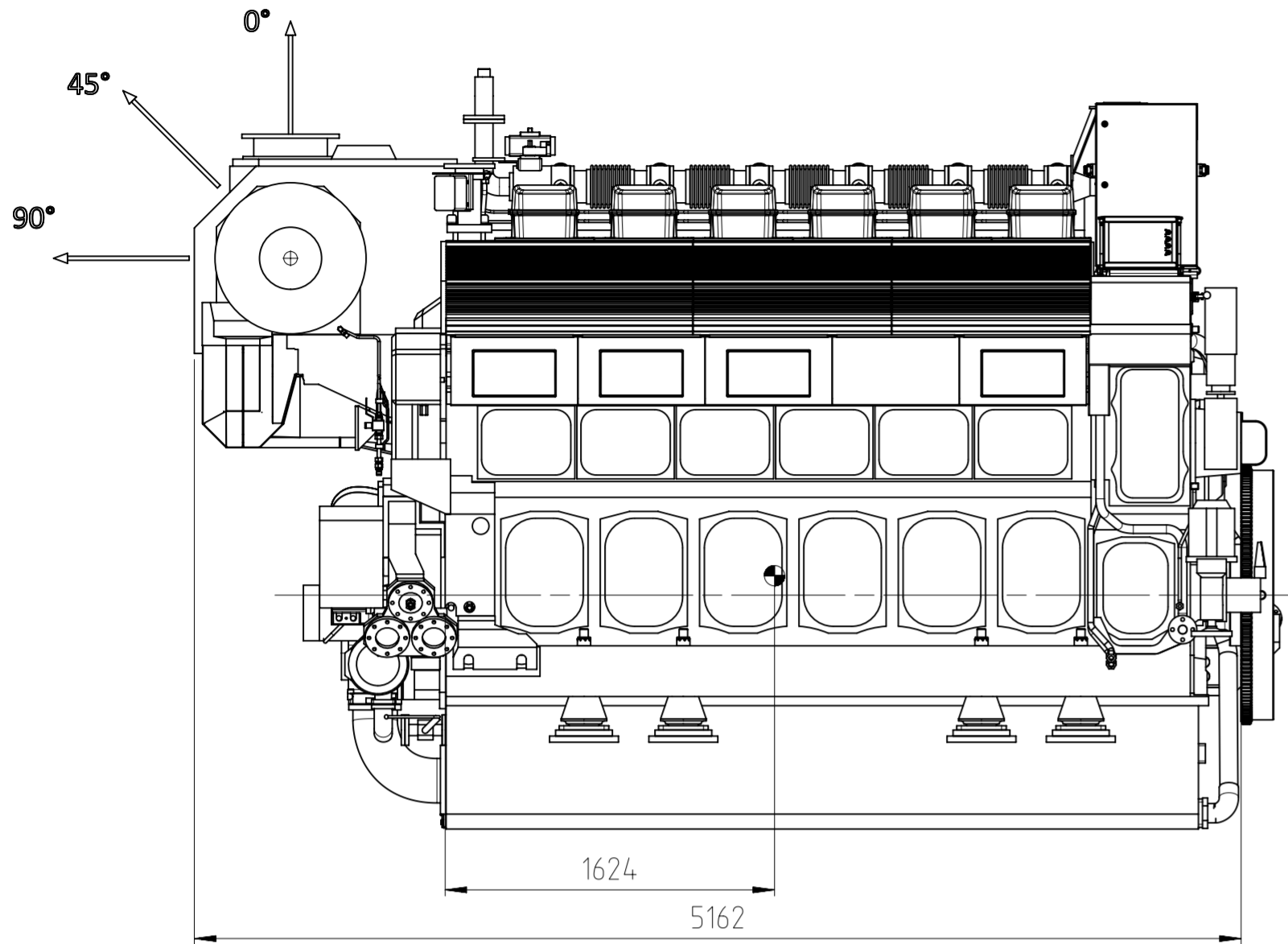


Exhaust gas outlet options



WEIGHTS w/o FLYWHEEL [kg]	
ENGINE WEIGHT	33500
FLEXIBLE MOUNTING	200
OIL	1400
WATER	500
TOTAL WEIGHT	35600

TC free end
Wet sump
Flexible mounting

Service space see drawing DAAF070676

		Product W6L34DF	Outline drawing Dual fuel engine		
Units	mm kg	NX	Basic Material	Net Weight	
Made	7.6.2017	btu004	Tuori	Scale 1:30	Size A2
Chkd	28.06.2017	dk1004 Klemets		Design Group	Page 1/1
Appd	31.07.2017	mtu009 Södö		58E0	Drawing ID DAAF380502
REV.	DATE	MADE	APPVD.	MEMO NO.	EXPLANATION
B	23.11.2021	DKL004	MTU009	CN-A191499	Gas connection from above marked as standard
A	1.6.2021	AEK006	MTU009	CN-A178798	Updated to C design stage