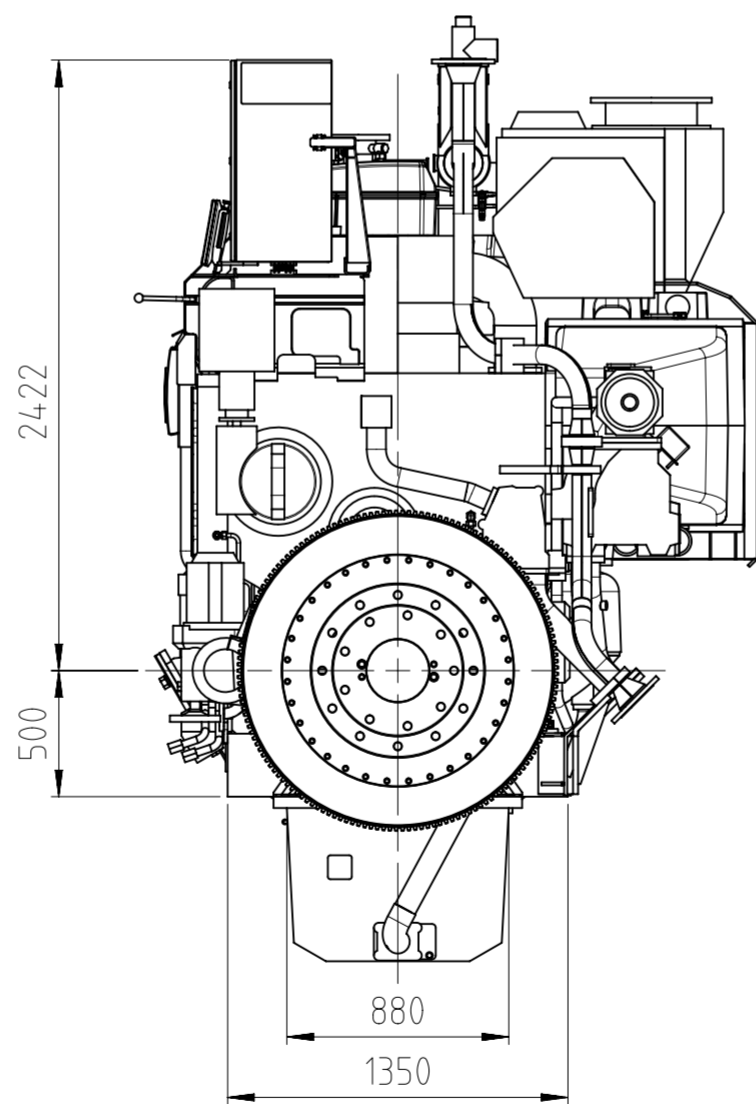
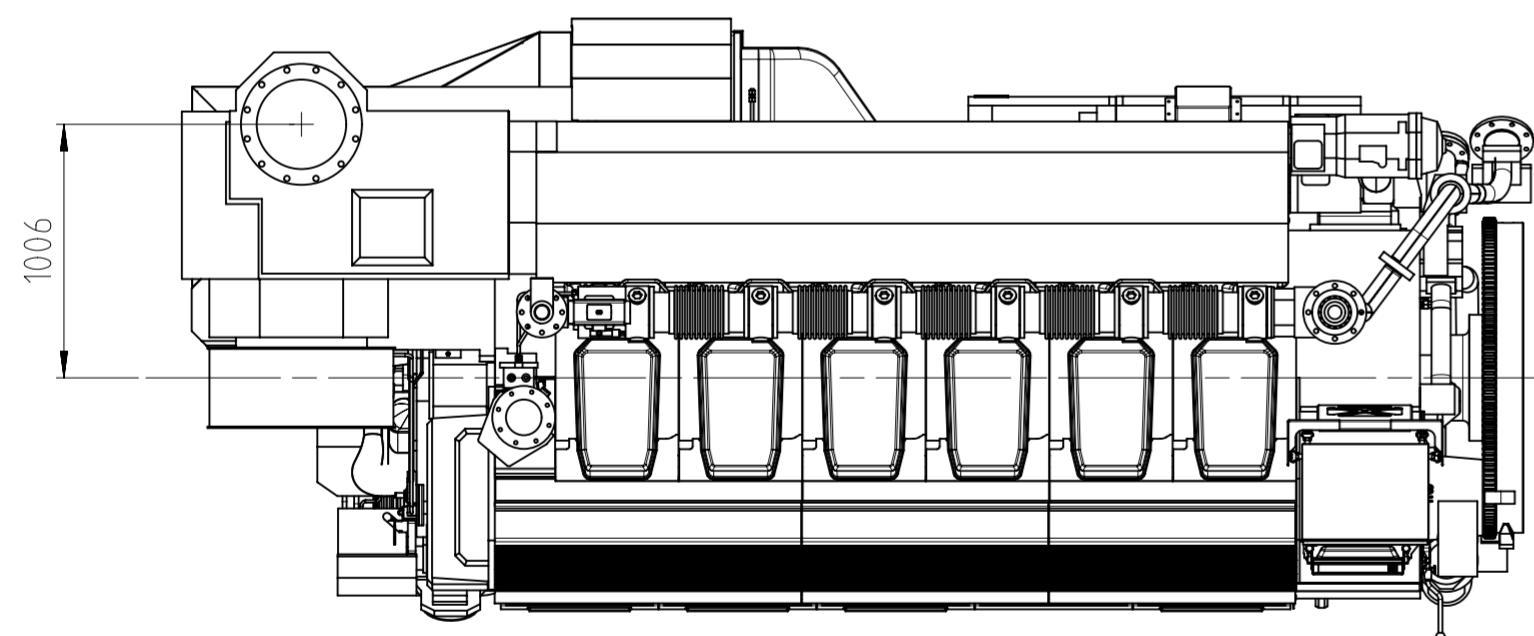
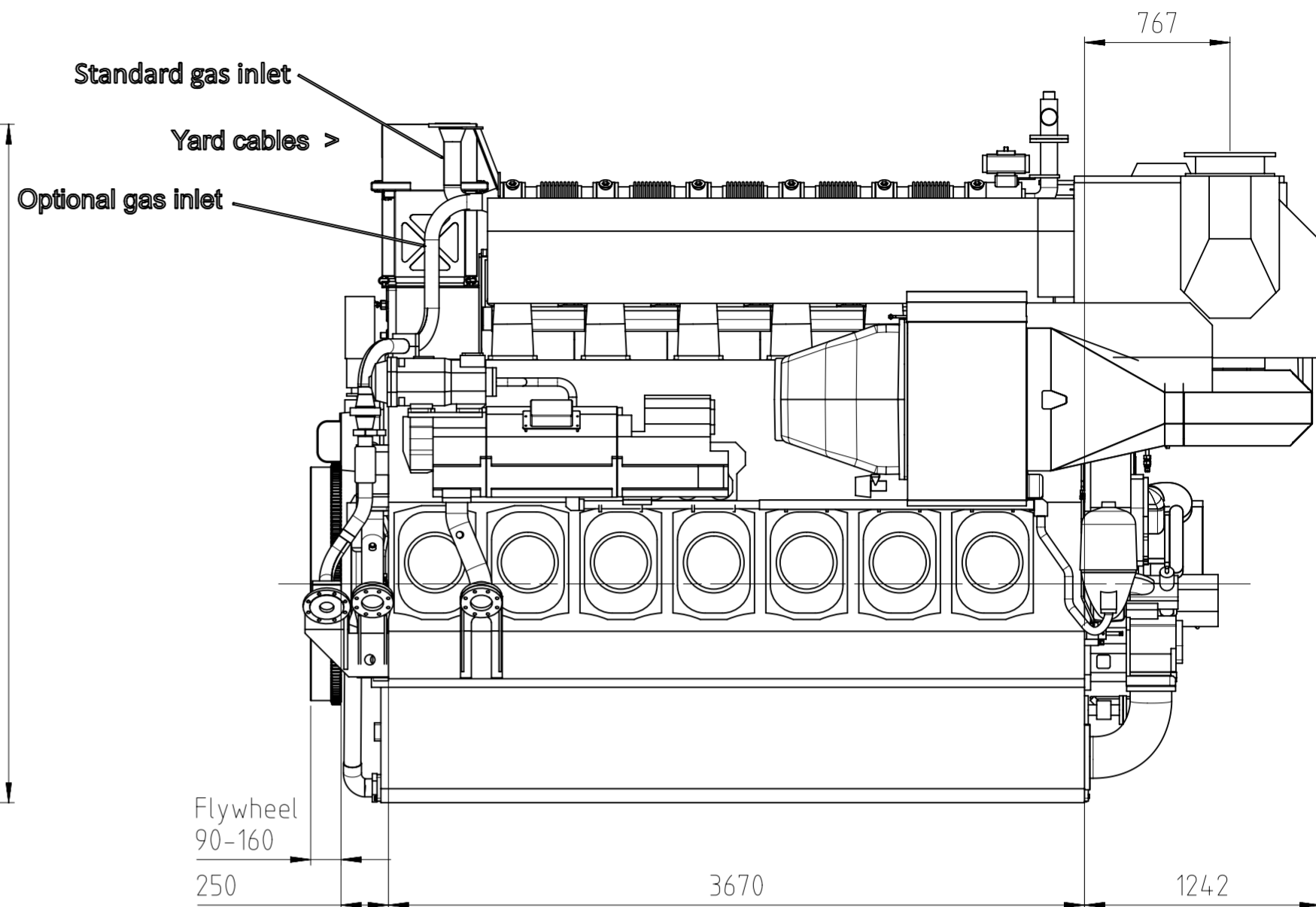
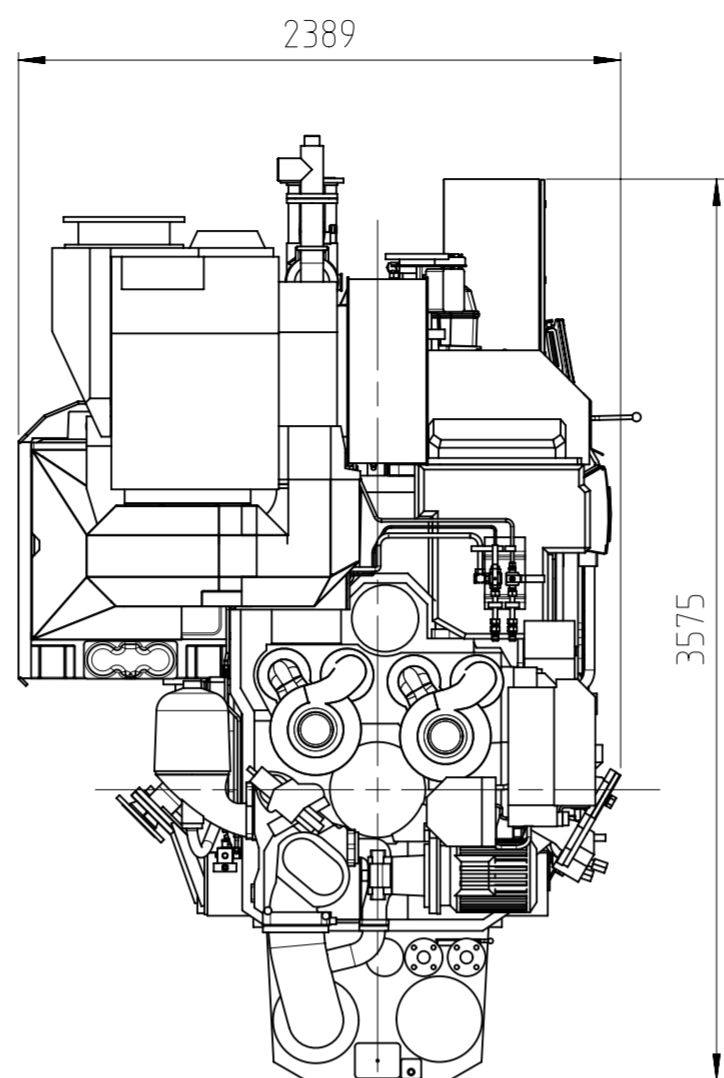
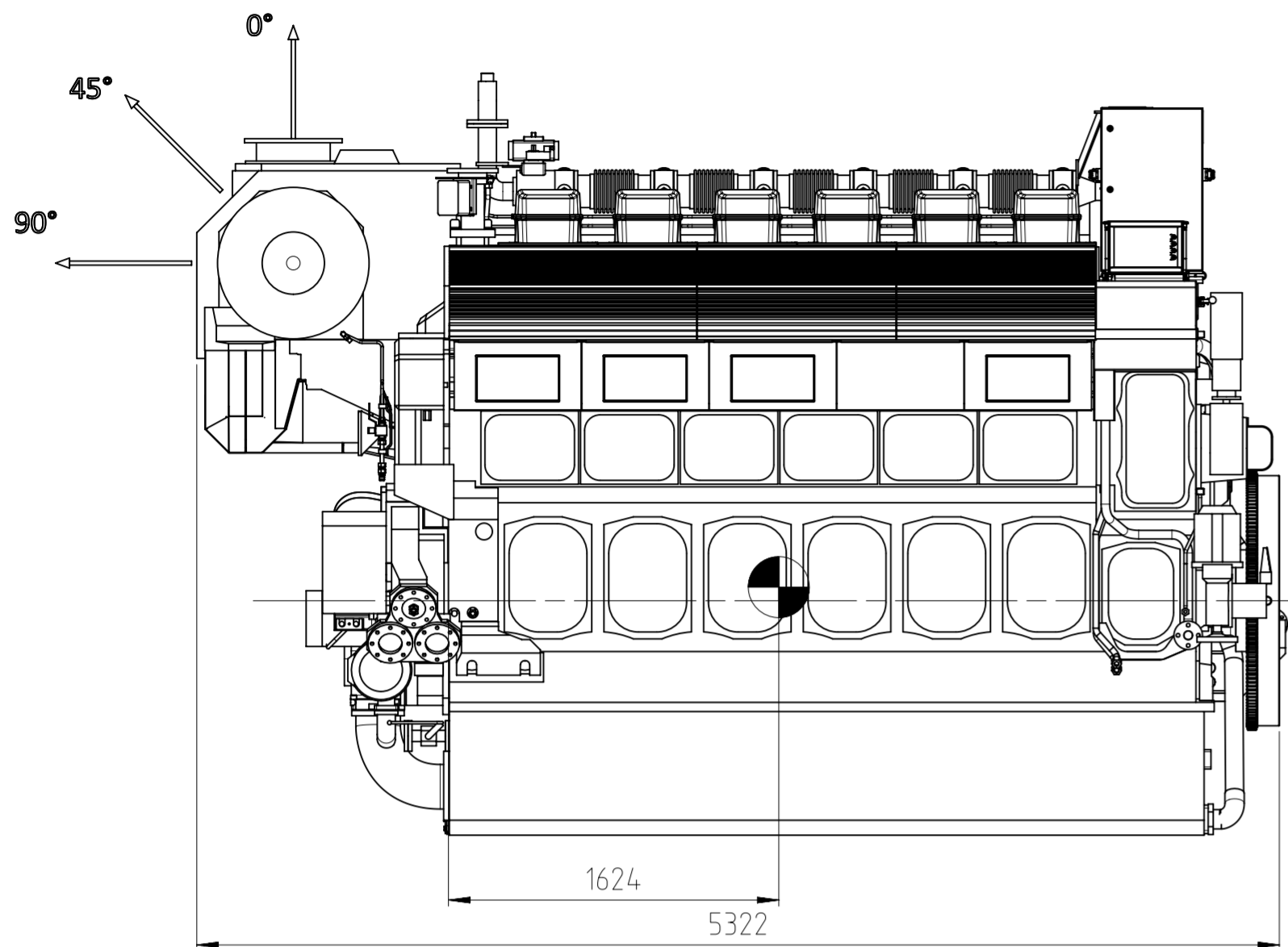


Exhaust gas outlet options



WEIGHTS w/o FLYWHEEL [kg]	
ENGINE WEIGHT	33500
FLEXIBLE MOUNTING	400
OIL	1400
WATER	500
TOTAL WEIGHT	35800

TC free end
Wet sump
Fixed mounting

Service space see drawing DAAF070676

		Product W6L34DF		Outline drawing Dual fuel engine							
		Units mm kg	NX	Basic Material		Net Weight					
Made	7.6.2017	btu004	Tuori	Scale	1:30	Size	A2	Page	1/1	Material ID	
Chkd	28.06.2017	dk1004 Klemets		Design Group		58E0		Drawing ID	DAAF380526		
Appd	31.07.2017	mtu009 Södö						Drawing Rev	B		

REV.	DATE	MADE	APPVD.	MEMO NO.	EXPLANATION
B	23.11.2021	DKL004	MTU009	(N-A191499)	Gas connection from above marked as standard
A	1.6.2021	AEK006	MTU009	(N-A178798)	Updated to C design stage