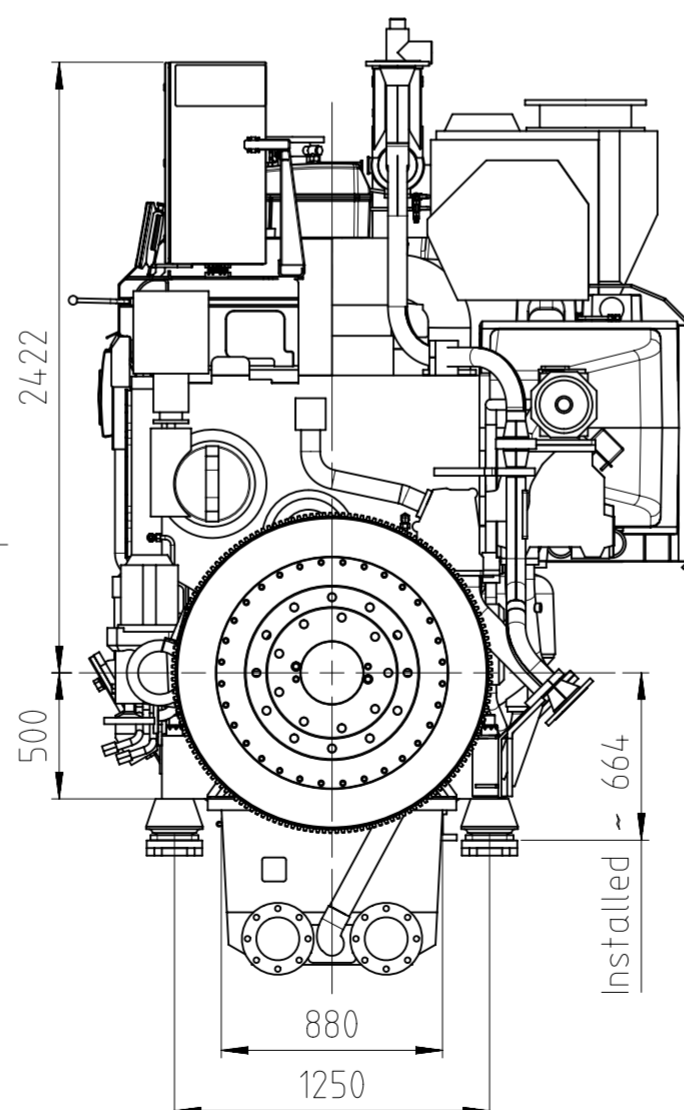
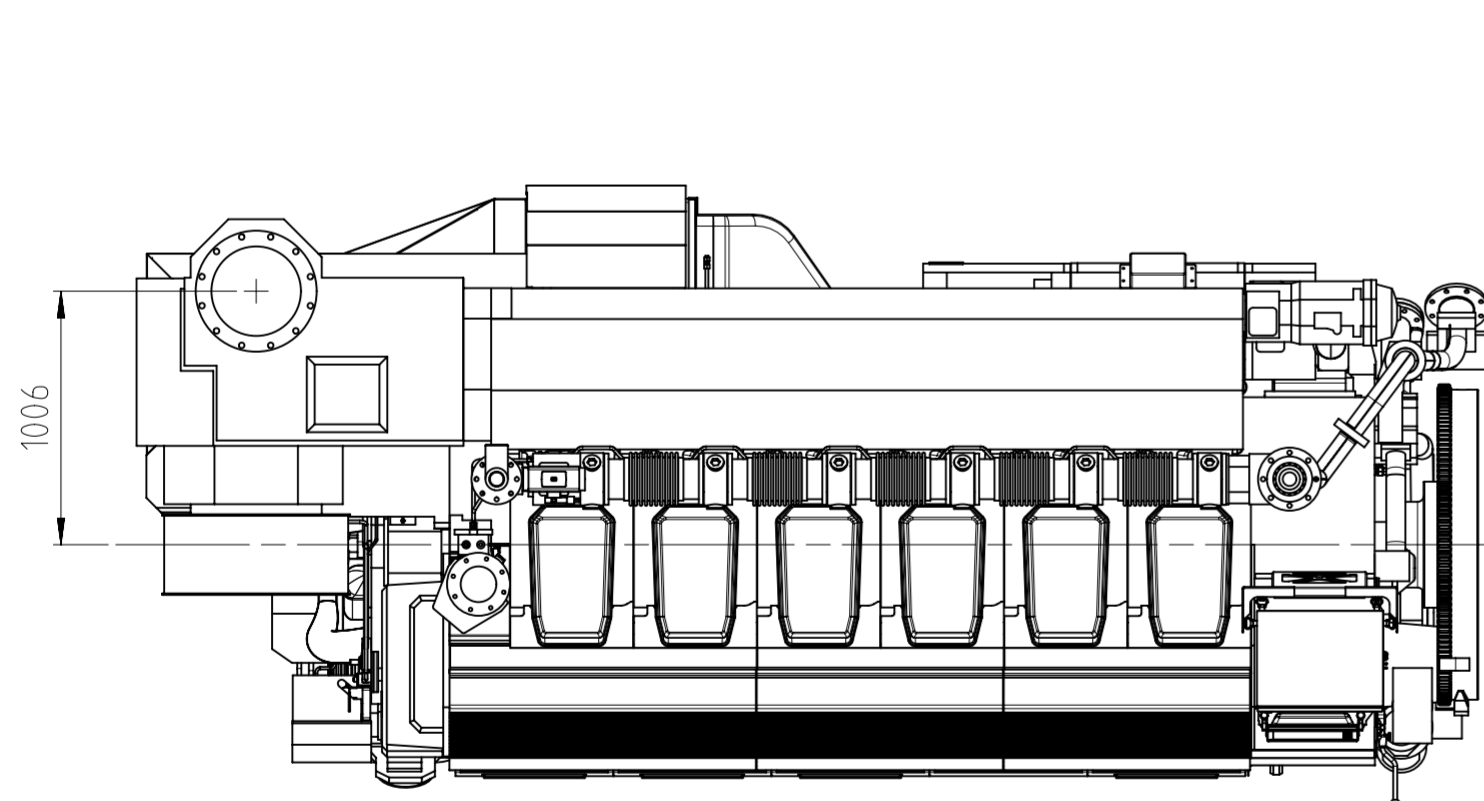
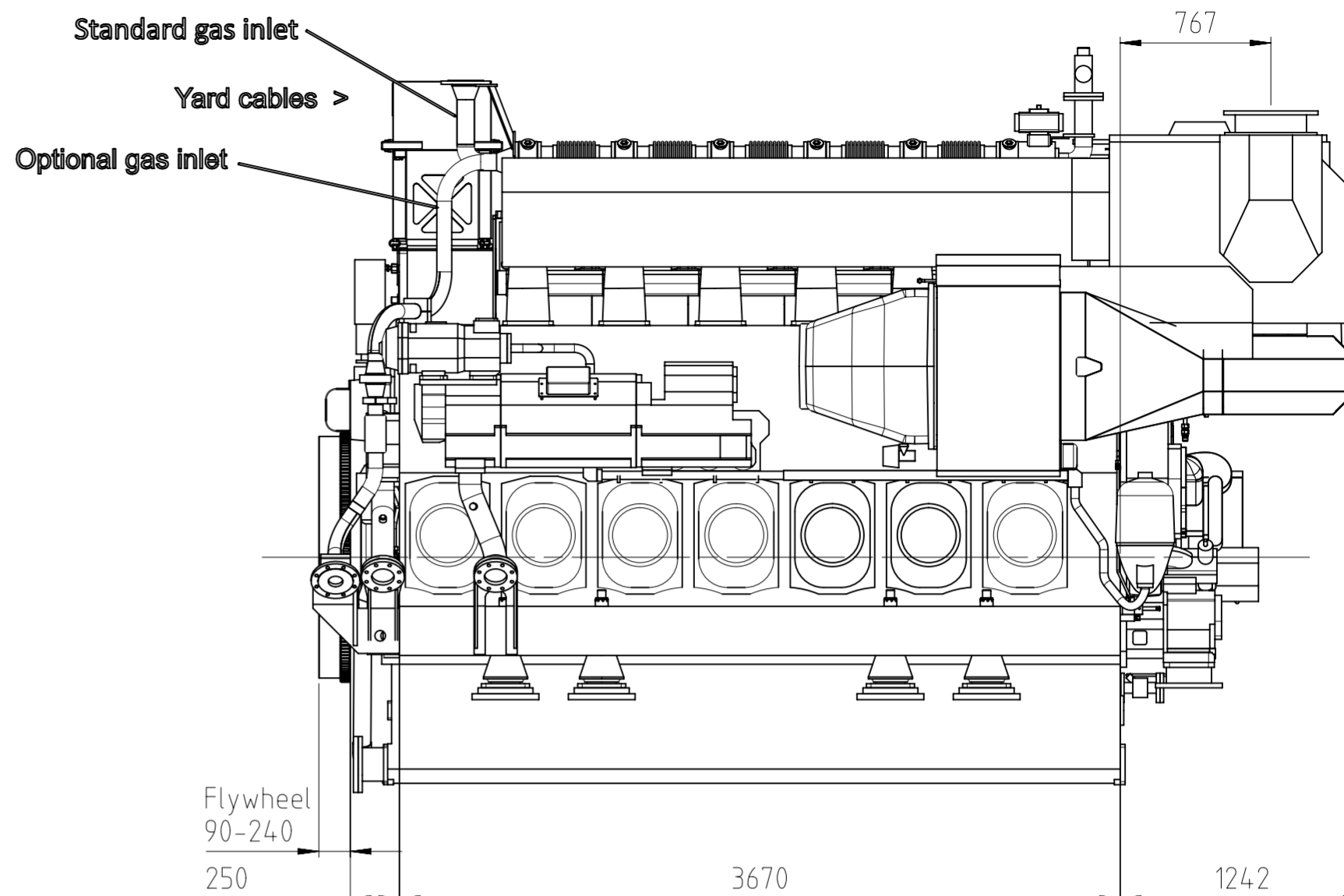
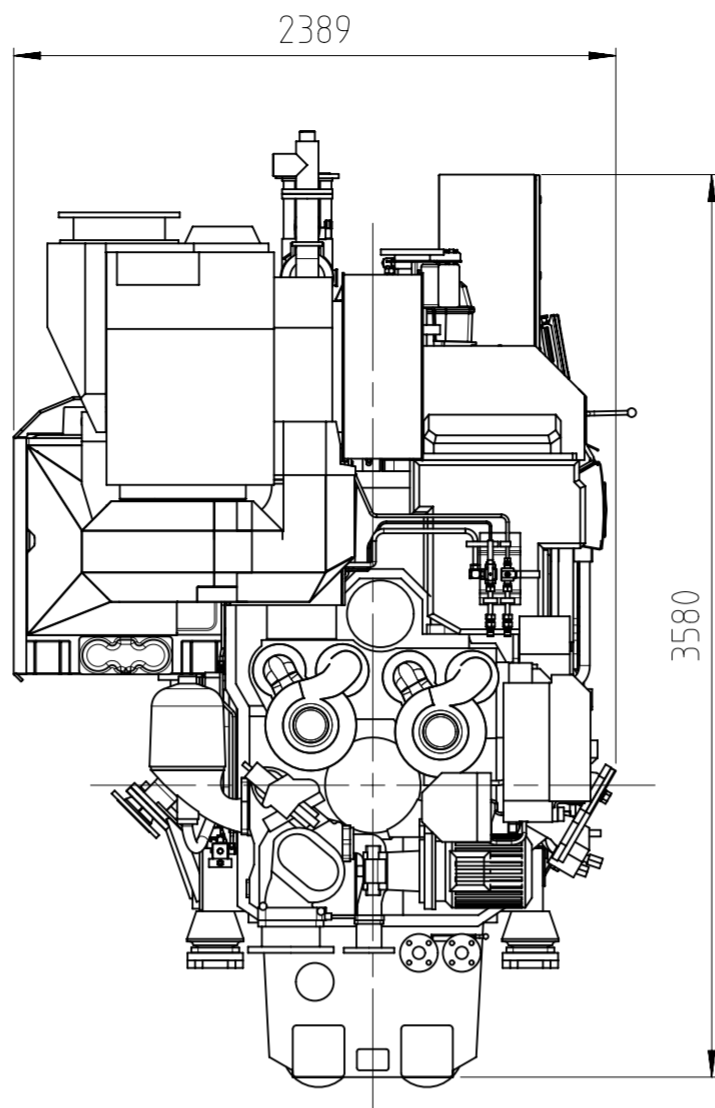
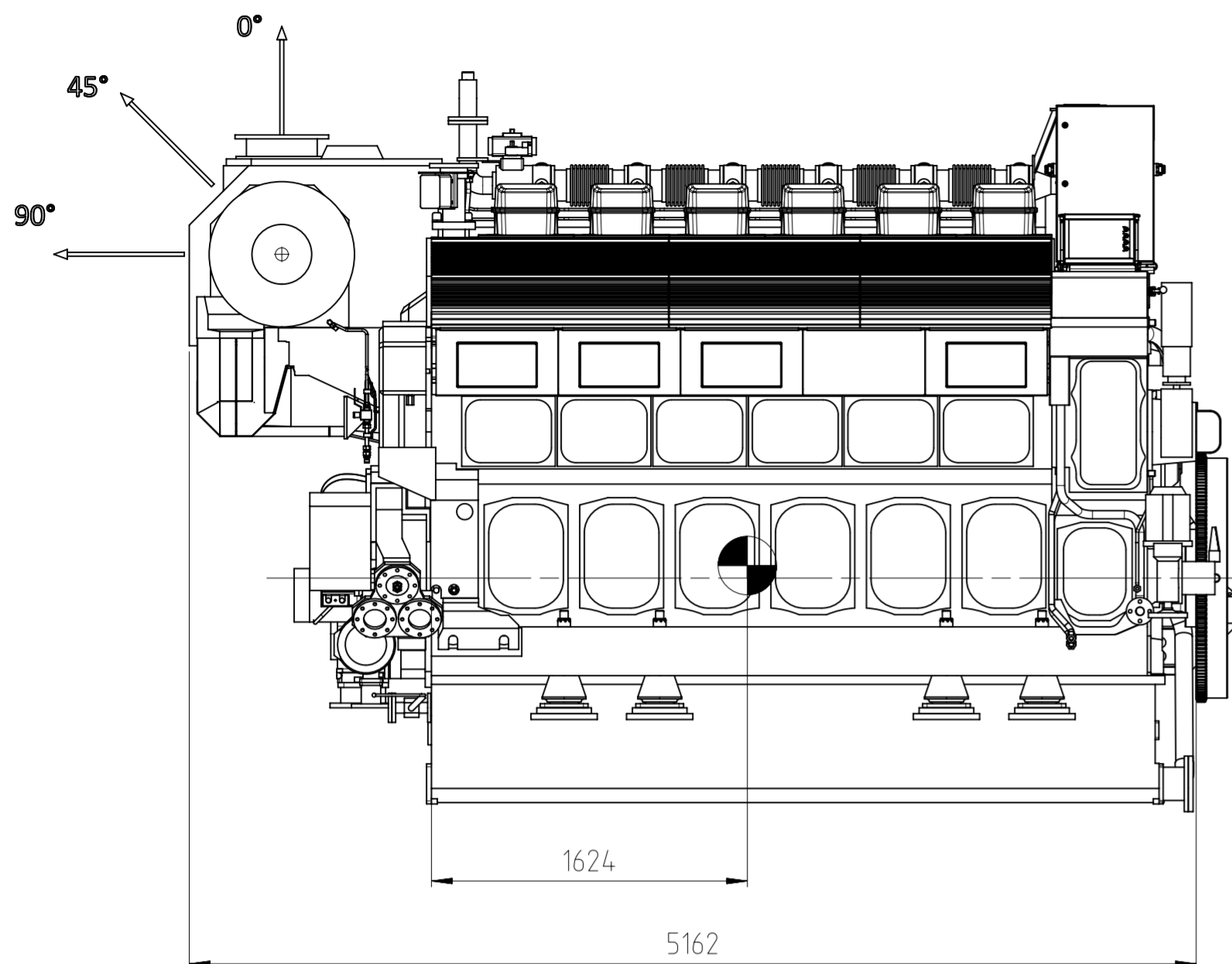


Exhaust gas outlet options



WEIGHTS w/o FLYWHEEL [kg]	
ENGINE WEIGHT	33500
FLEXIBLE MOUNTING	200
OIL	-
WATER	500
TOTAL WEIGHT	34200

TC free end
Dry sump
Flexible mounting

Service space see drawing DAAF070676

		Product W6L34DF	Outline drawing Dual fuel engine		
Units	mm kg	NX	Basic Material	Net Weight	
Made	7.6.2017	btu004 Tuori	Scale 1:30	Size A2	Page 1/1
Chkd	28.06.2017	dk1004 Klemets	Design Group	Drawing ID	DAAF380478
Appd	31.07.2017	mtu009 Södö	58E0		Drawing Rev B

REV.	DATE	MADE	APPVD.	MEMO NO.	EXPLANATION
B	23.11.2021	DKL004	MTU009	(N-A191499)	Gas connection from above marked as standard
A	1.6.2021	AEK006	MTU009	(N-A178798)	Updated to C design stage