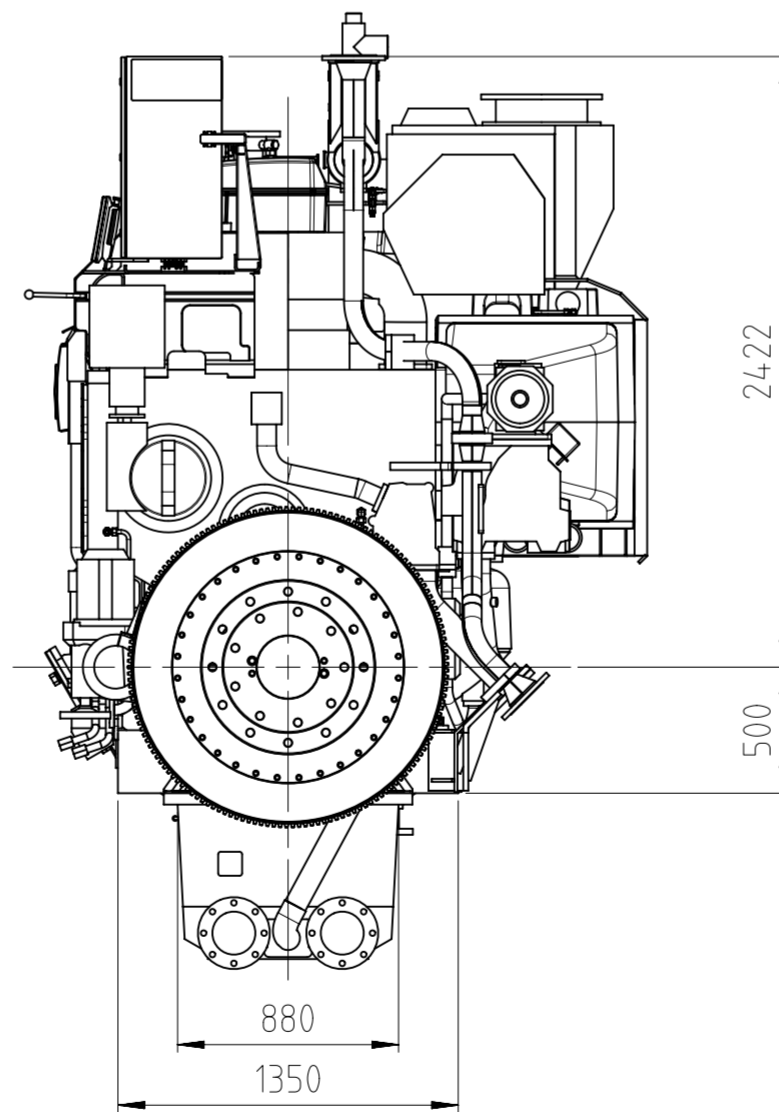
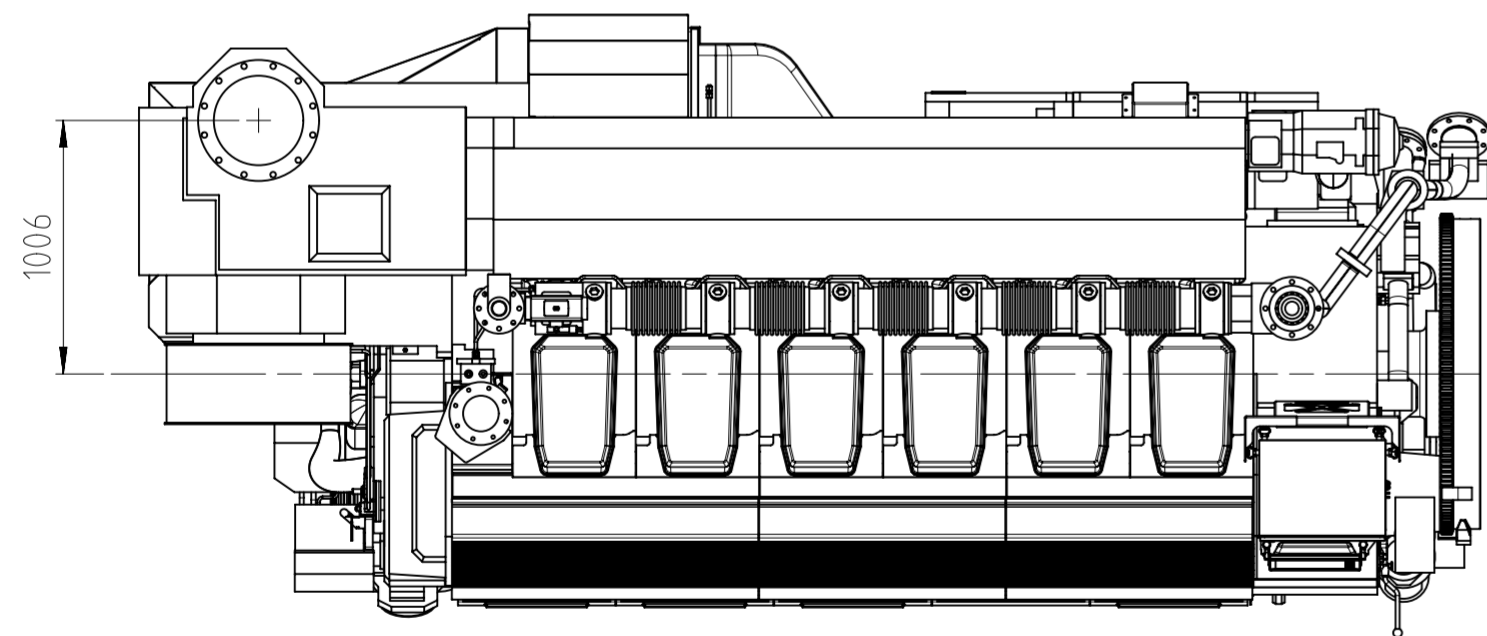
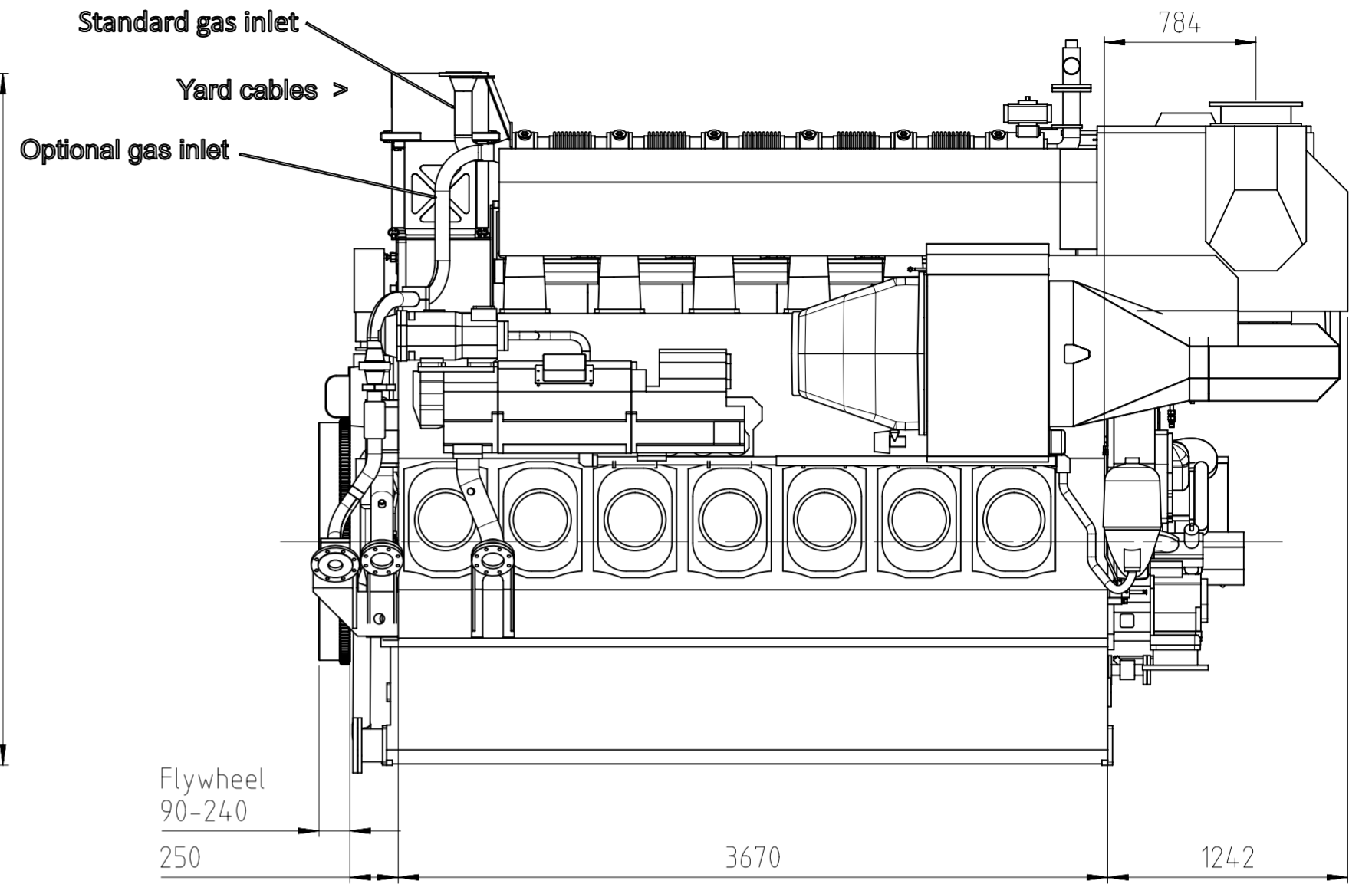
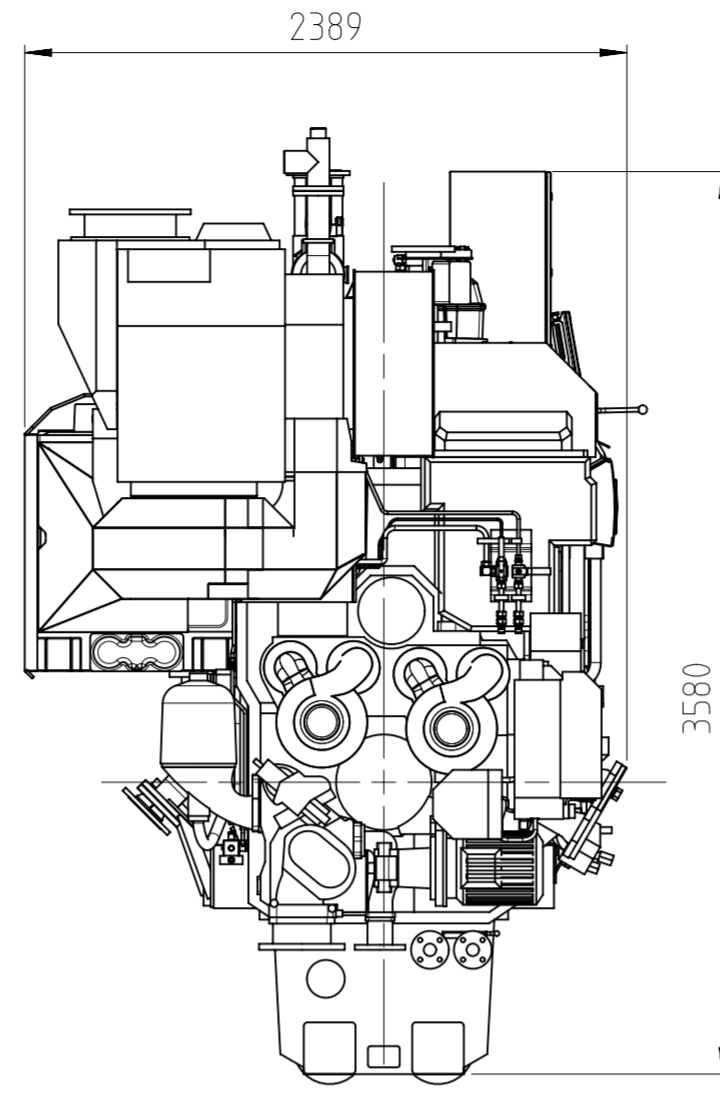
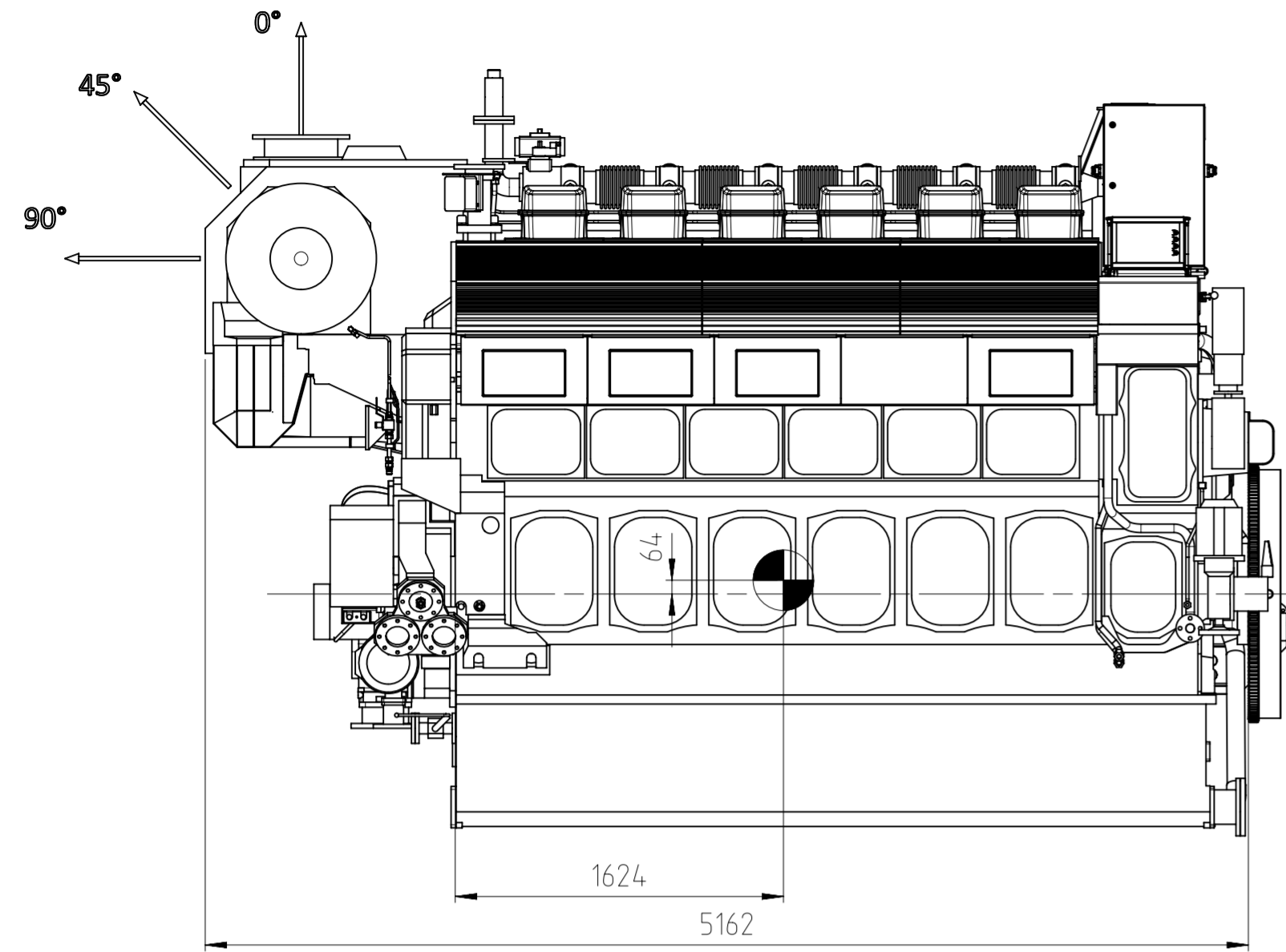


Exhaust gas outlet options



WEIGHTS w/o FLYWHEEL [kg]	
ENGINE WEIGHT	33500
OIL	-
WATER	500
TOTAL WEIGHT	34000

TC free end
Dry sump
Fixed mounting

Service space see drawing DAAF070676

		Product W6L34DF	Outline drawing Dual fuel engine		
Units	mm kg	NX	Basic Material	Net Weight	
Made	7.6.2017	btu004	Tuori	Scale 1:30	Size A2
Chkd	28.06.2017	dk1004	Klemets	Design Group	Page 1/1
Appd	31.07.2017	mtu009	Södö	58E0	Drawing ID DAAF380464
REV.	DATE	MADE	APPVD.	MEMO NO.	EXPLANATION
B	23.11.2021	DKL004	MTU009	(N-A191499)	Gas connection from above marked as standard
A	1.6.2021	AEK006	MTU009	(N-A178798)	Updated to C design stage